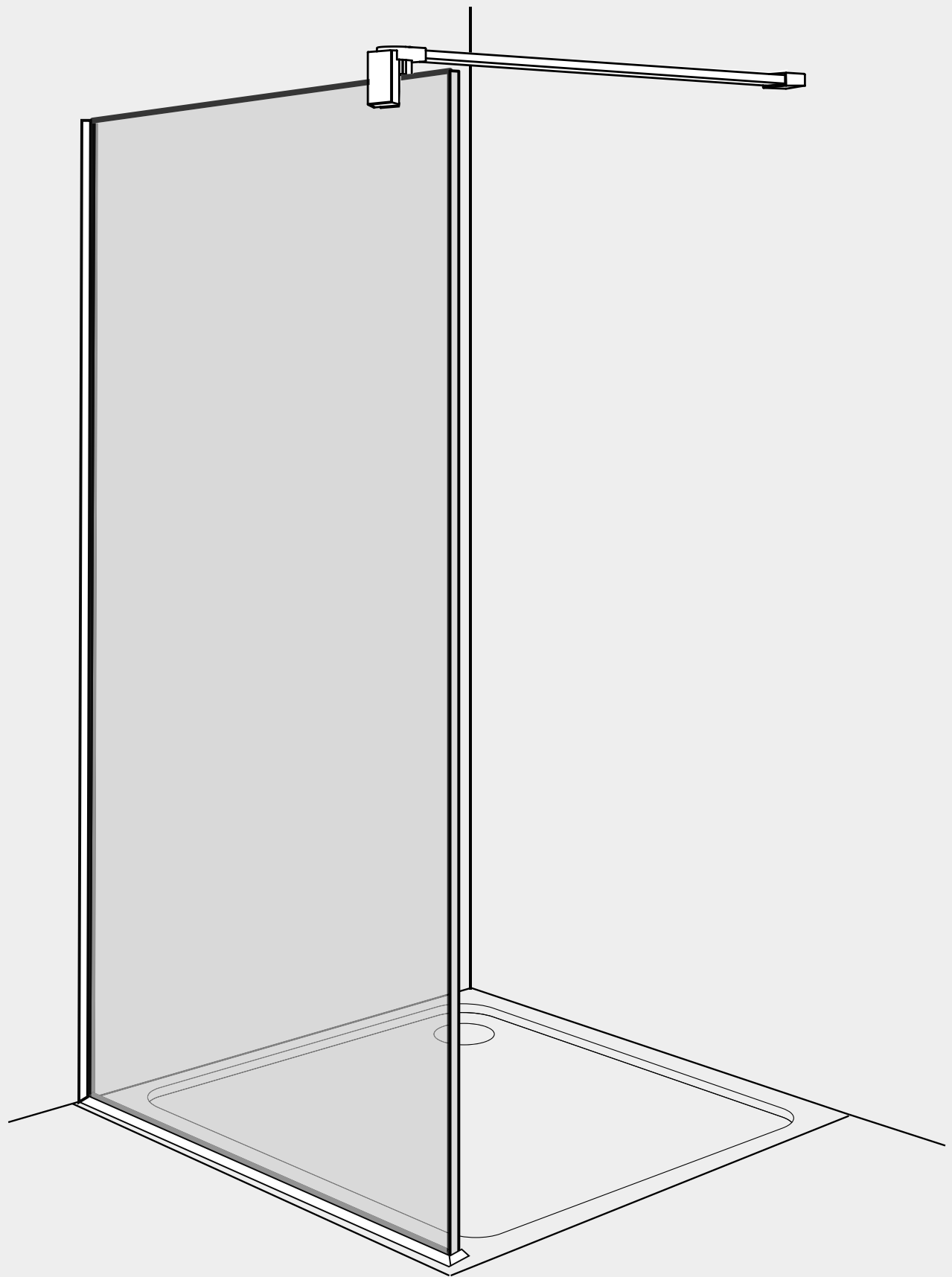
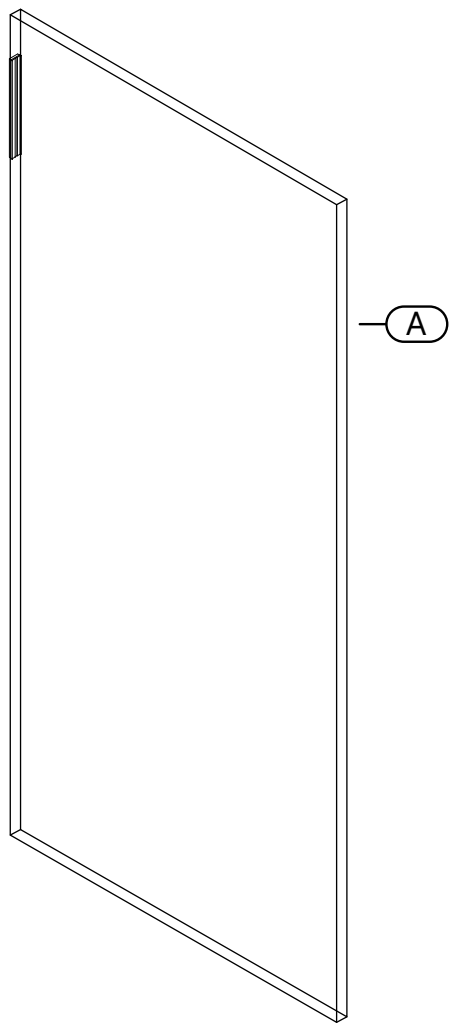
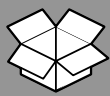


# Viva Walk-in

mit Glasanker geklebt

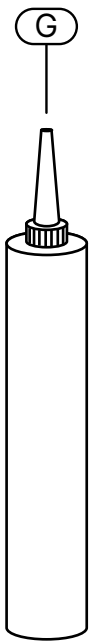




A	1x	480.195480
		480.205480

	1x	752674
--	----	--------

G	1-2x	
---	------	--



Weiss / White  
Blanc / Binaco  
711102.001

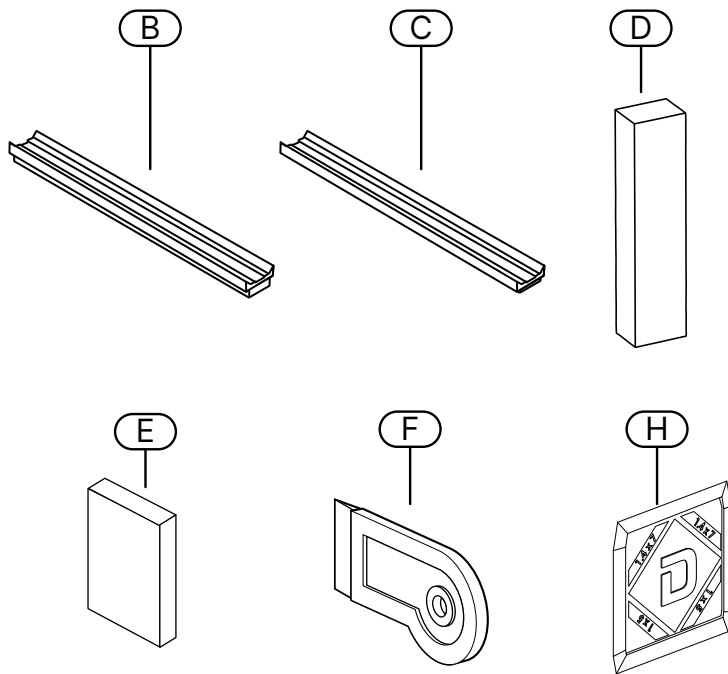
Grau / Grey (Manhattan)  
Gris / Grigio  
711102.030

Anthrazit / Anthracite  
Anthracite / Antracite  
711102.217

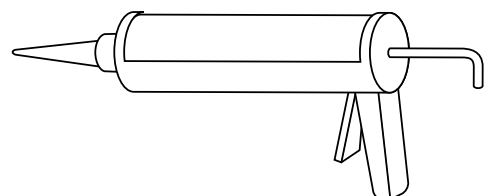
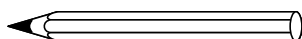
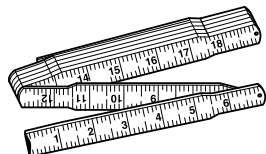
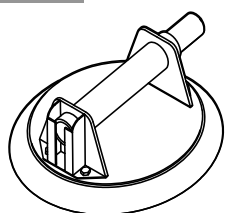
Schwarz / Black  
Noir / Nero  
711102.076

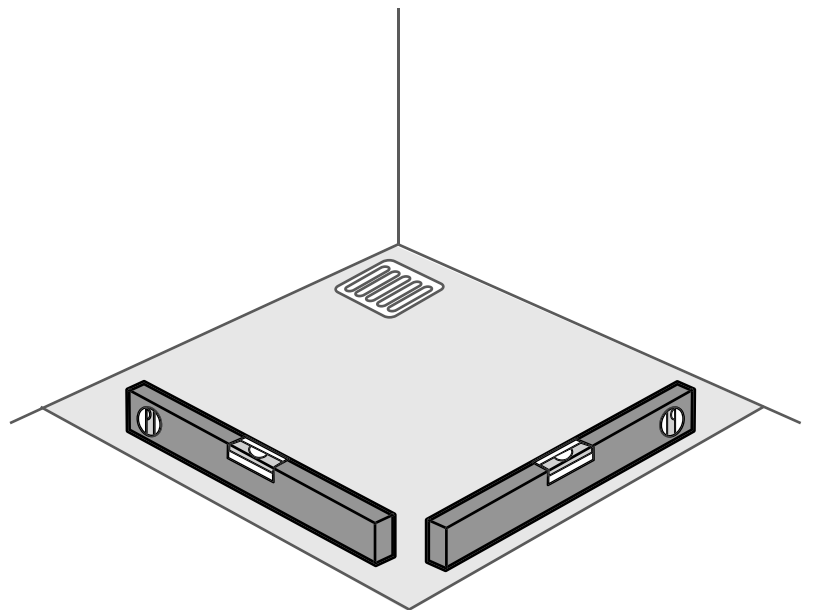
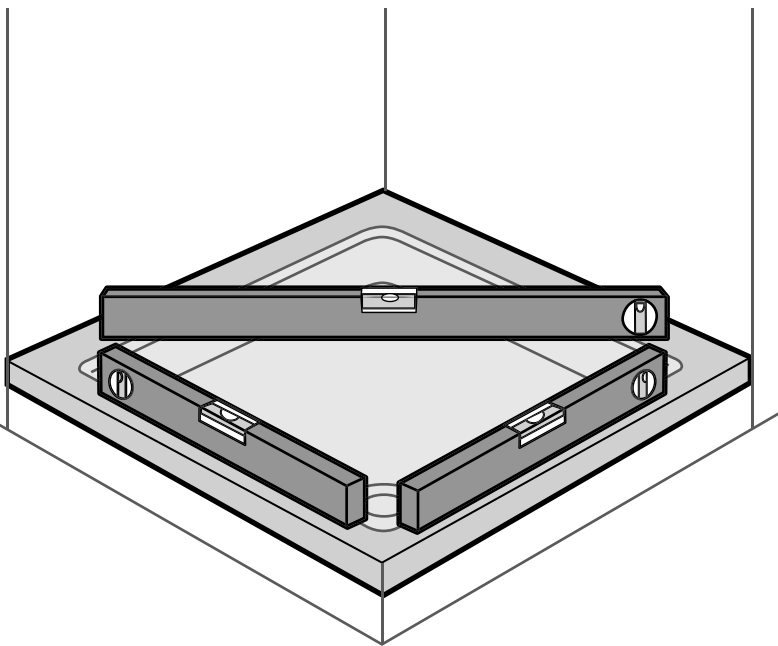
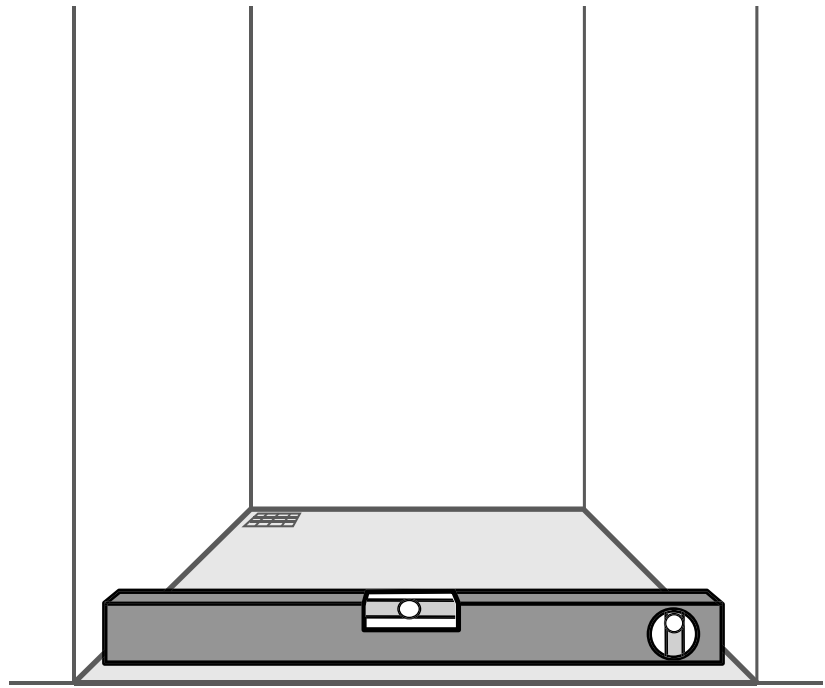
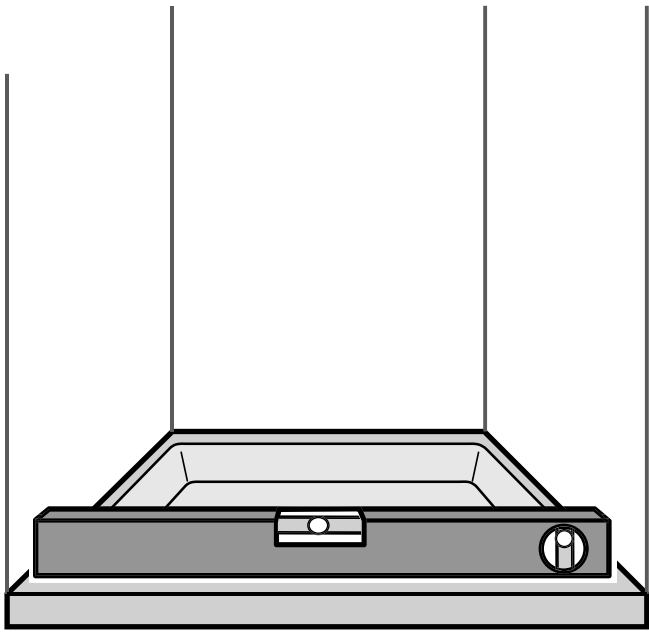


752674



B	2x	520437.501
C	1x	520437.502
D	8x	403186
E	1x	271692
F	1x	220323
H	1x	204457

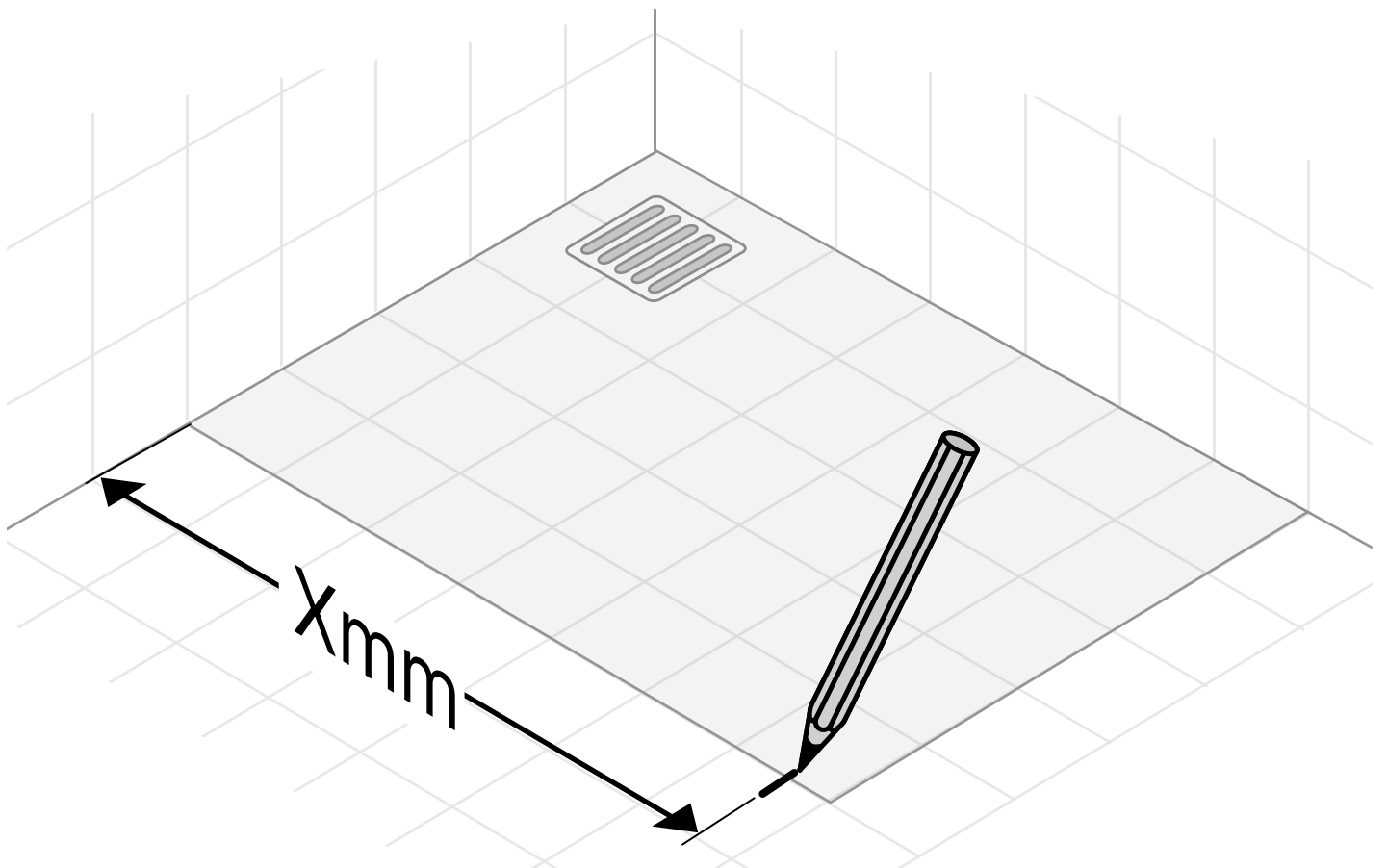
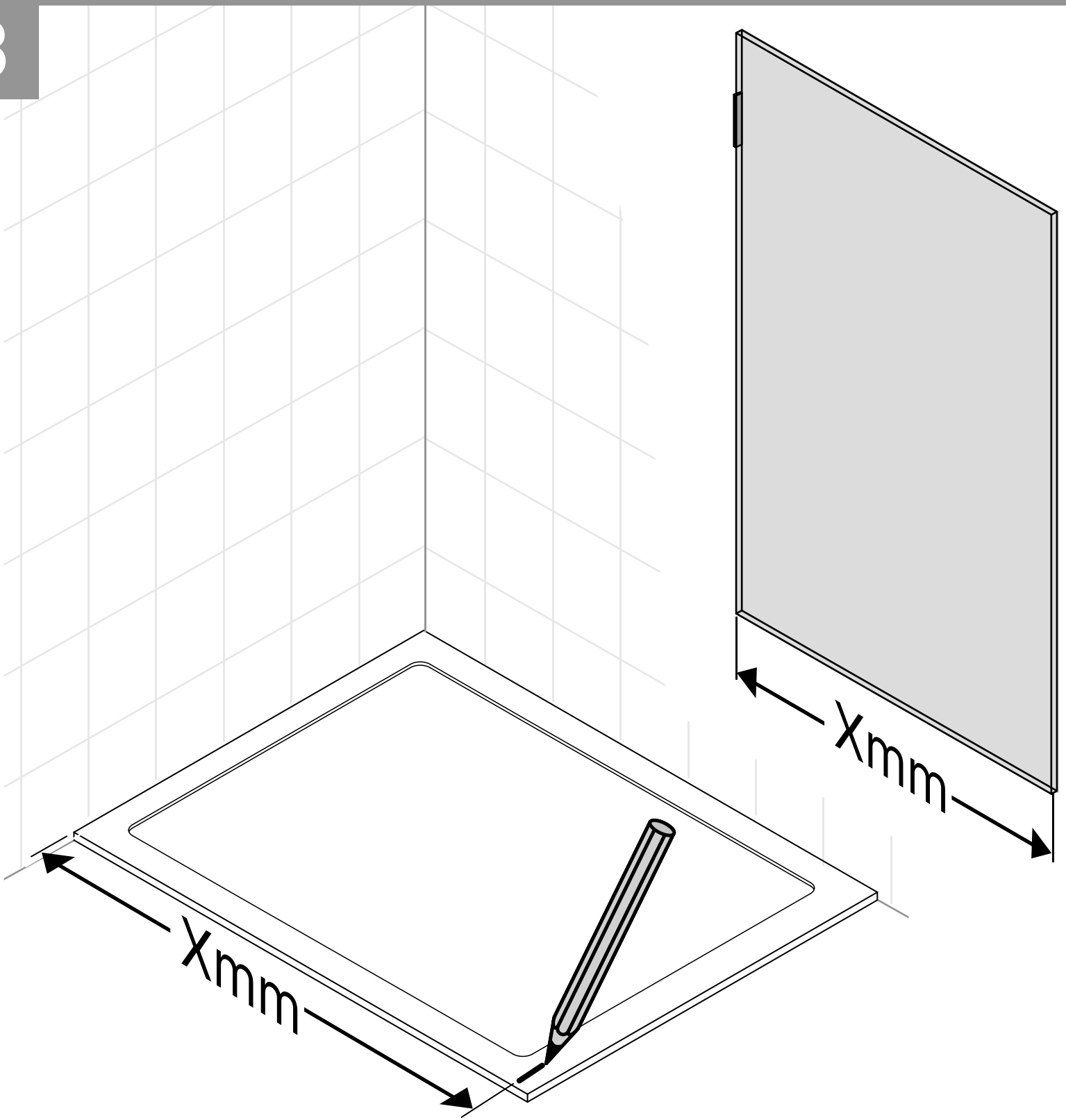


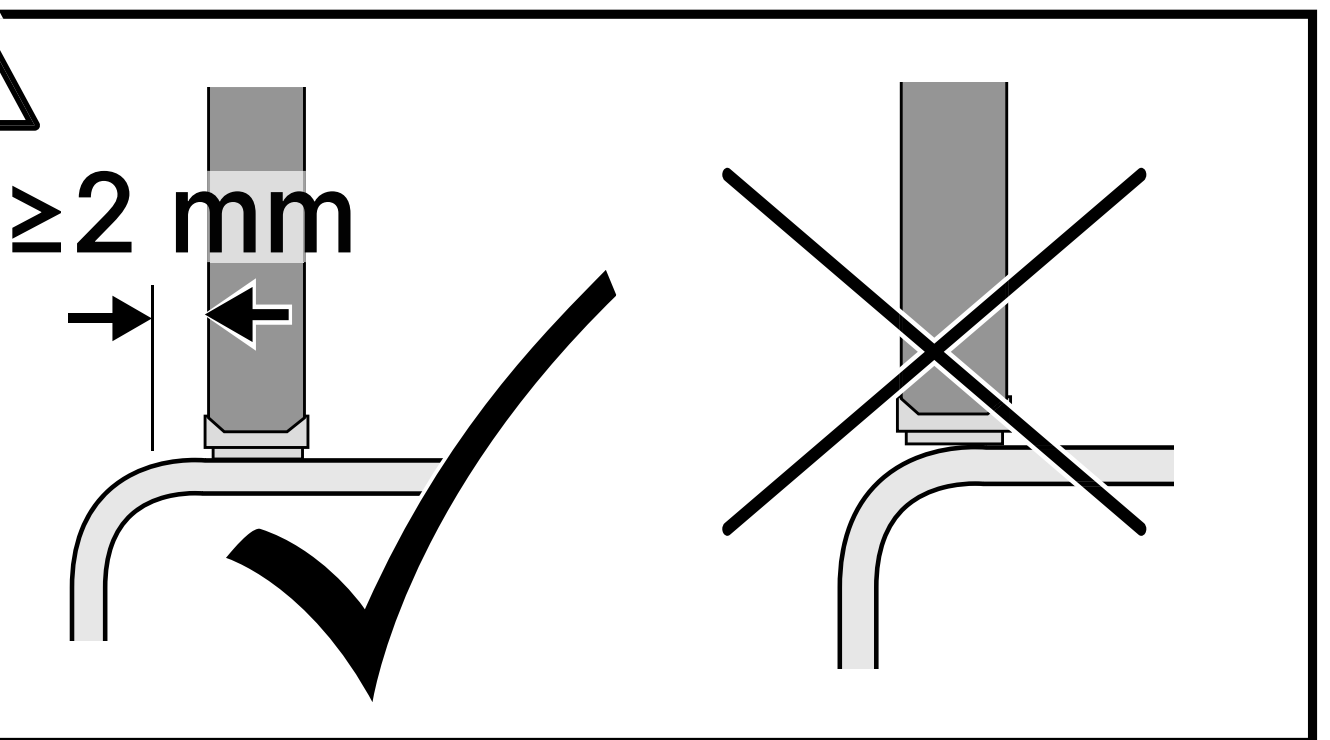
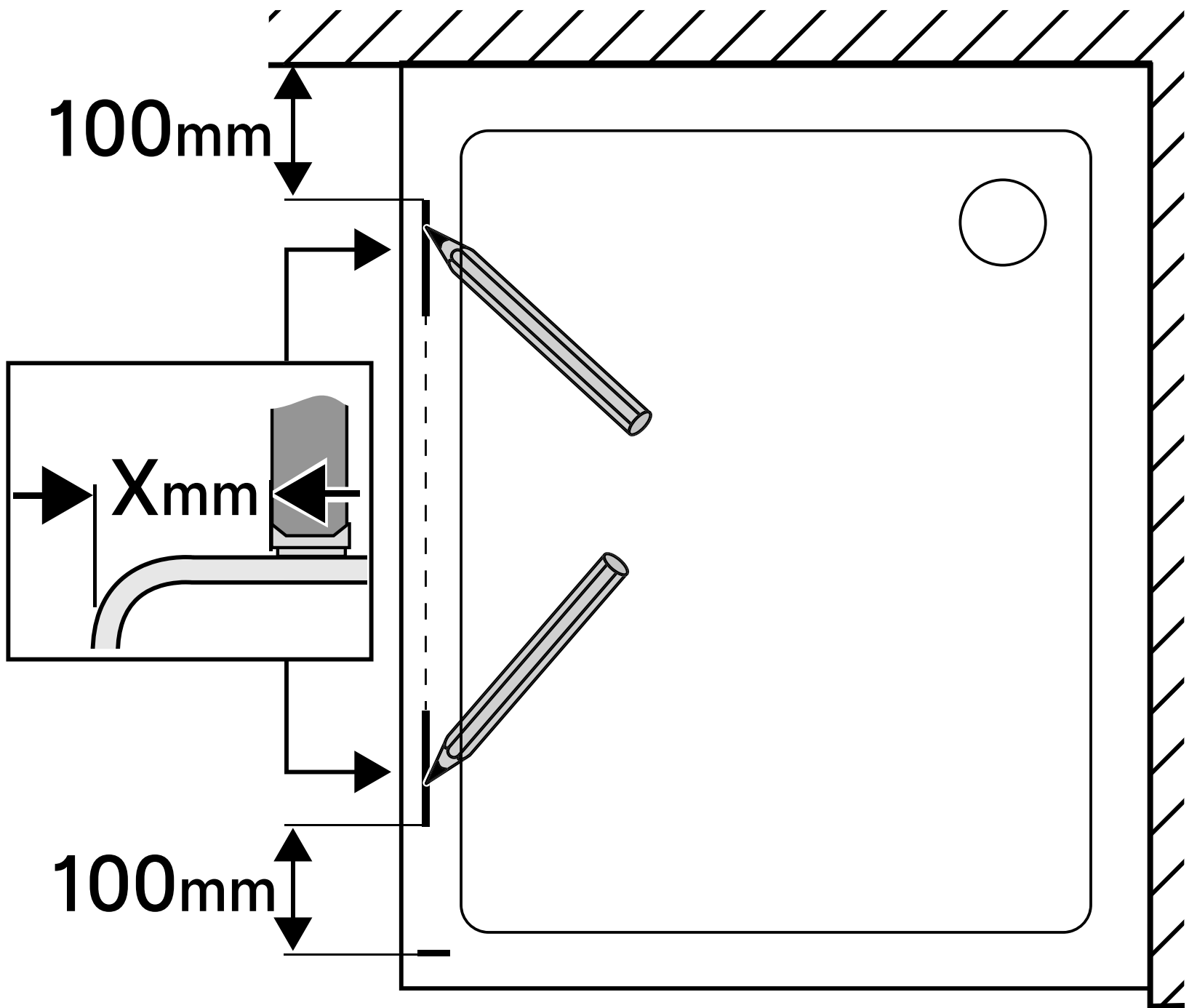


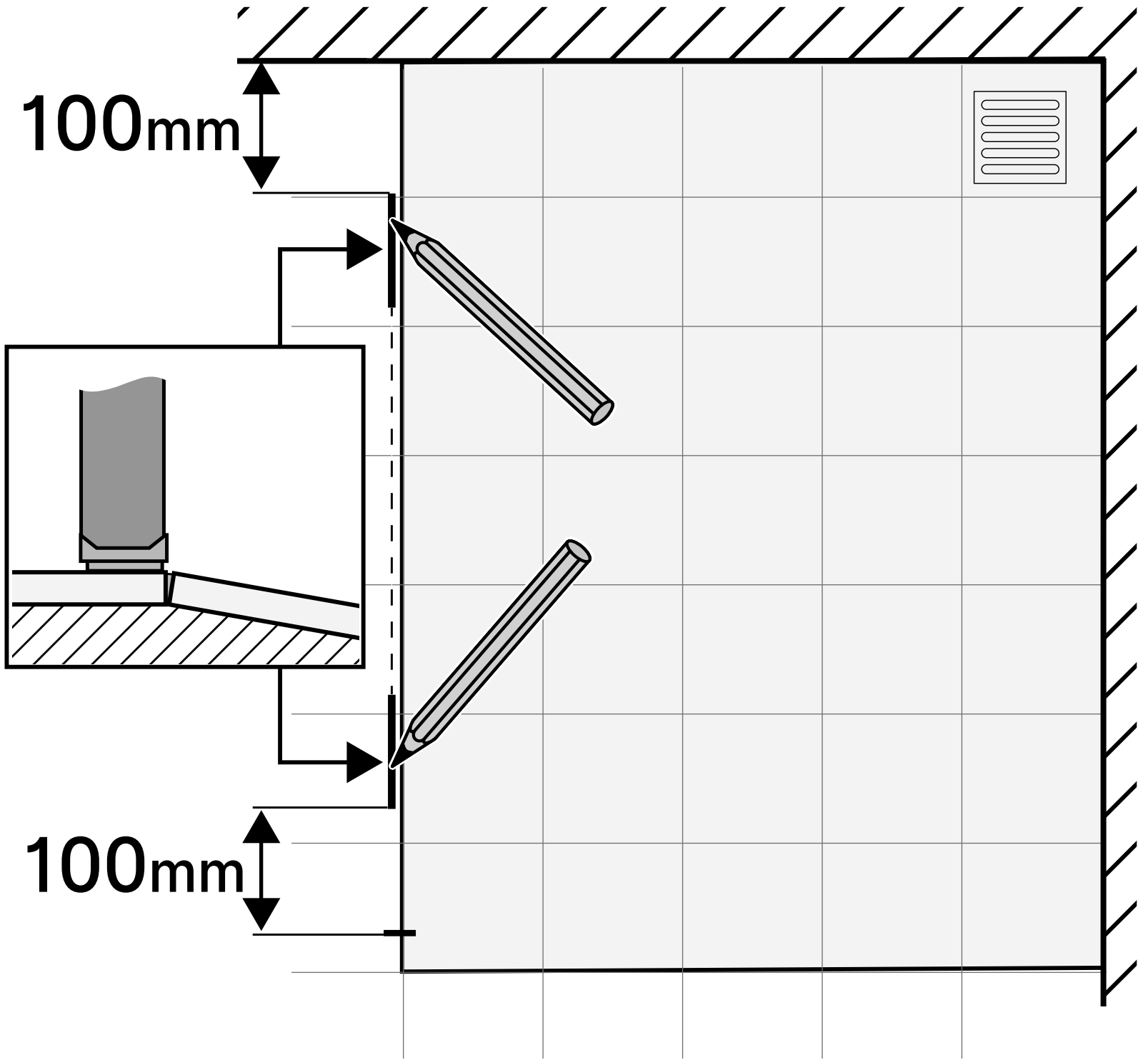


Entfetten  
degrease  
dégraisser  
sgrassare  
ontvetten  
desengrasar  
odmastit  
odmastit'  
odtłuszcic  
avfette  
обезжирить

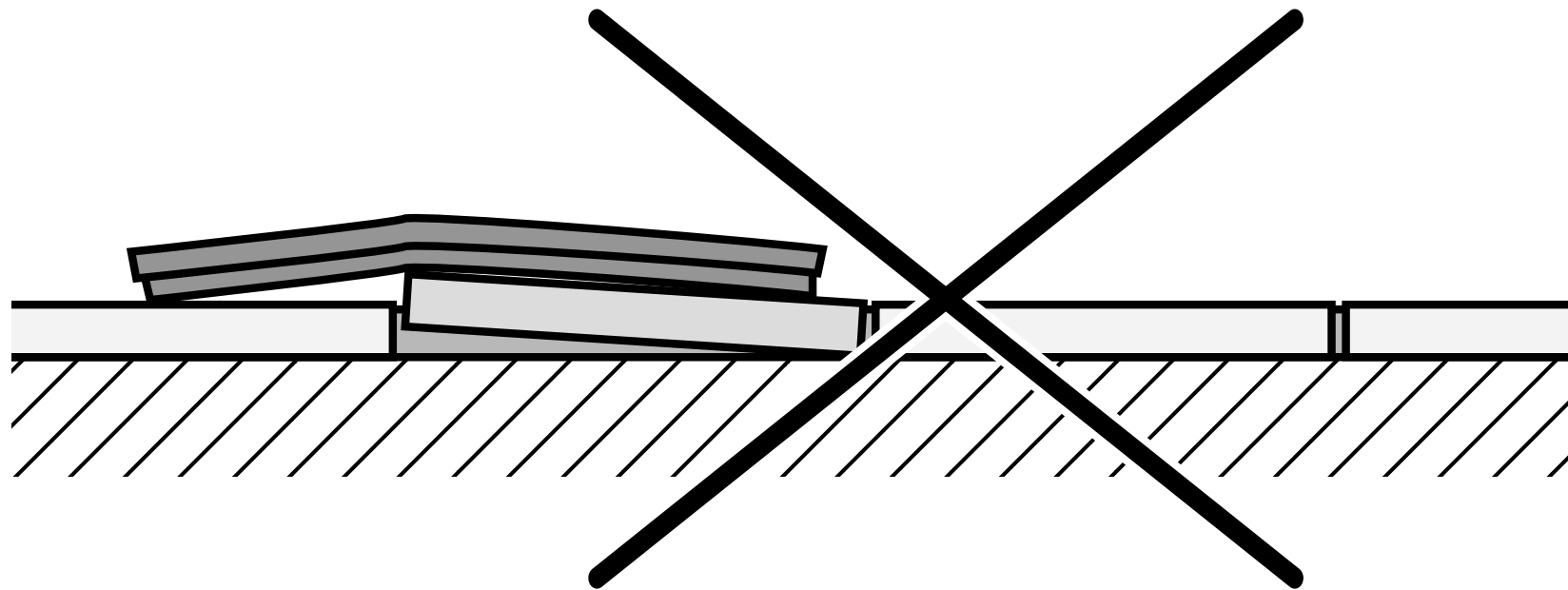
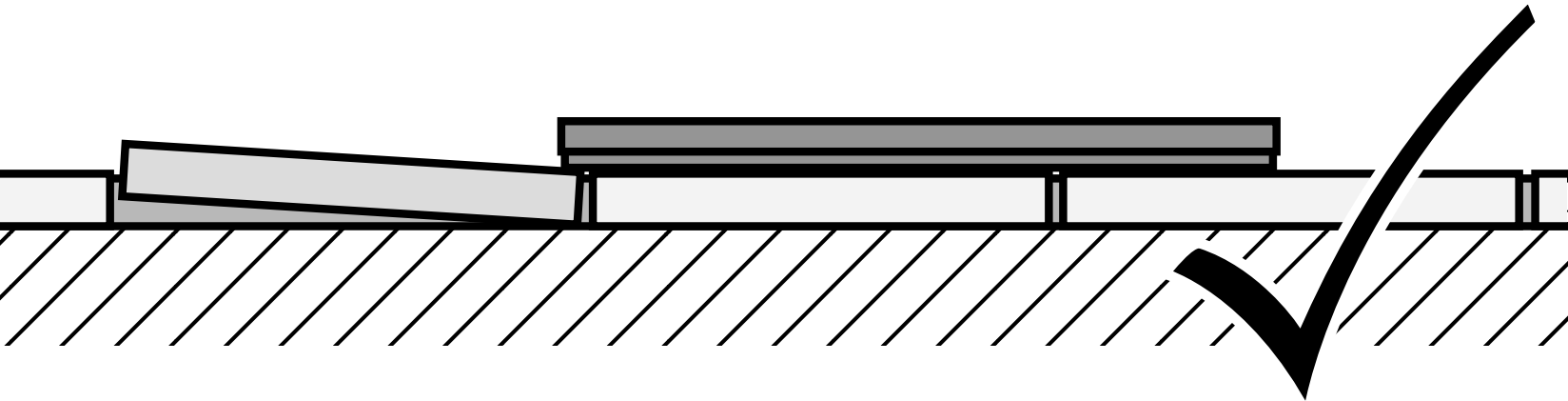
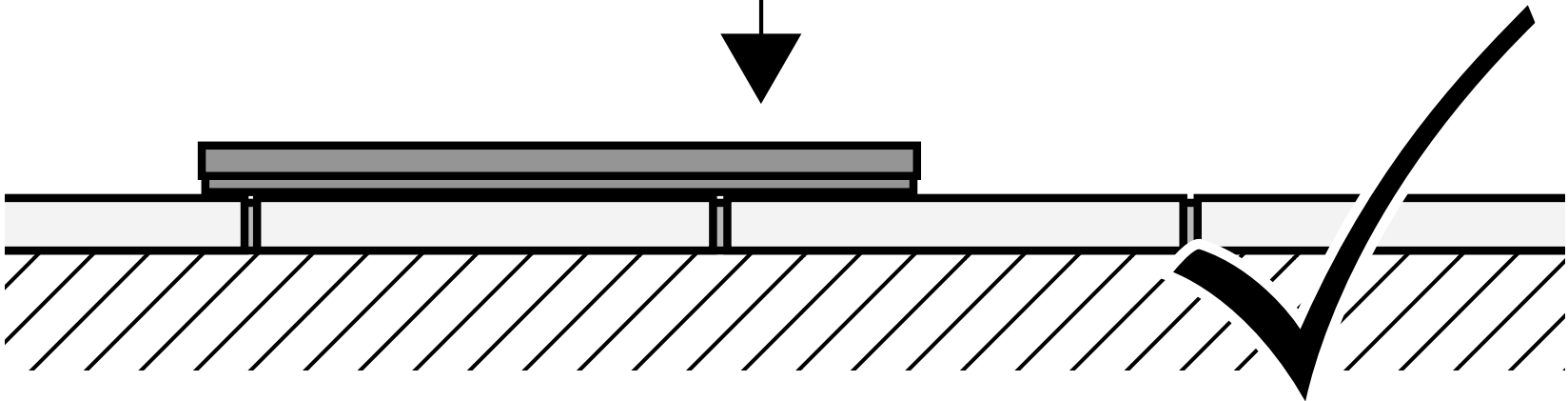
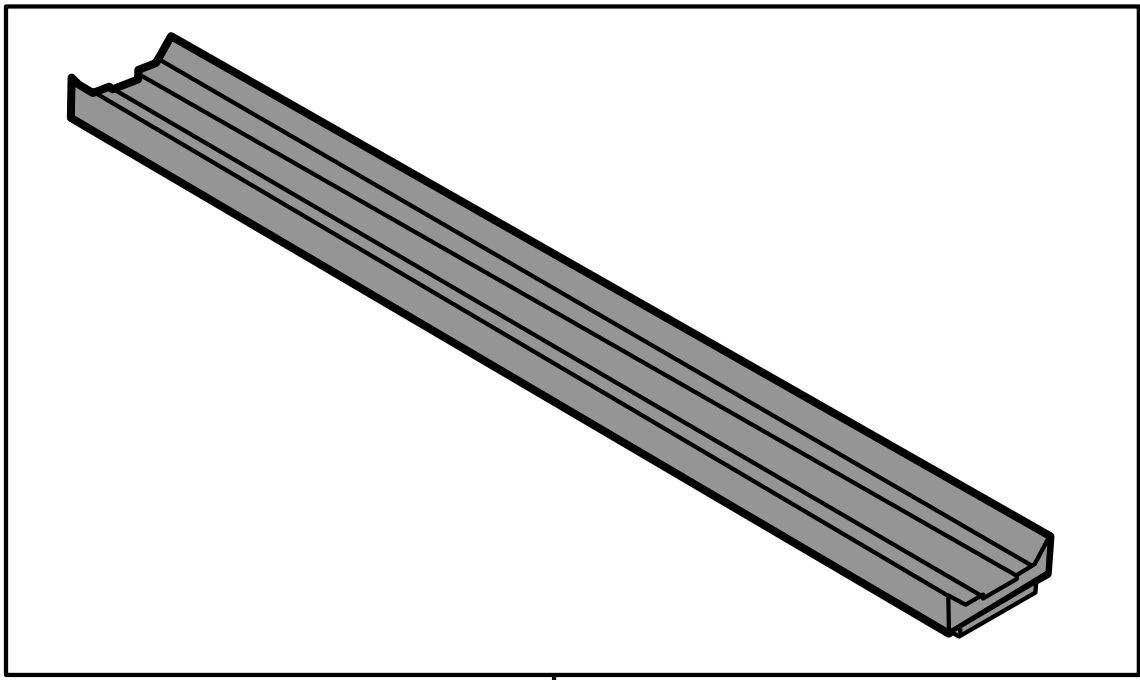
3



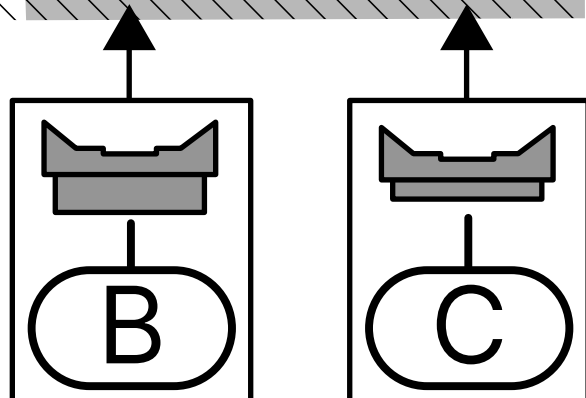
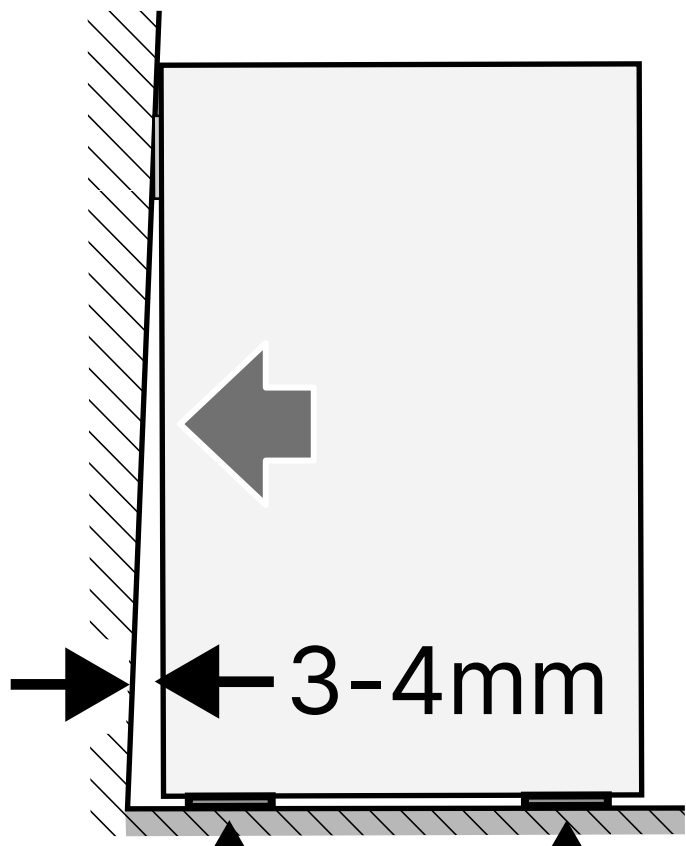
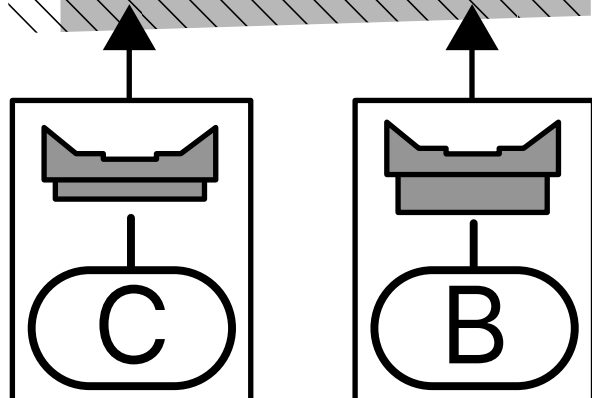
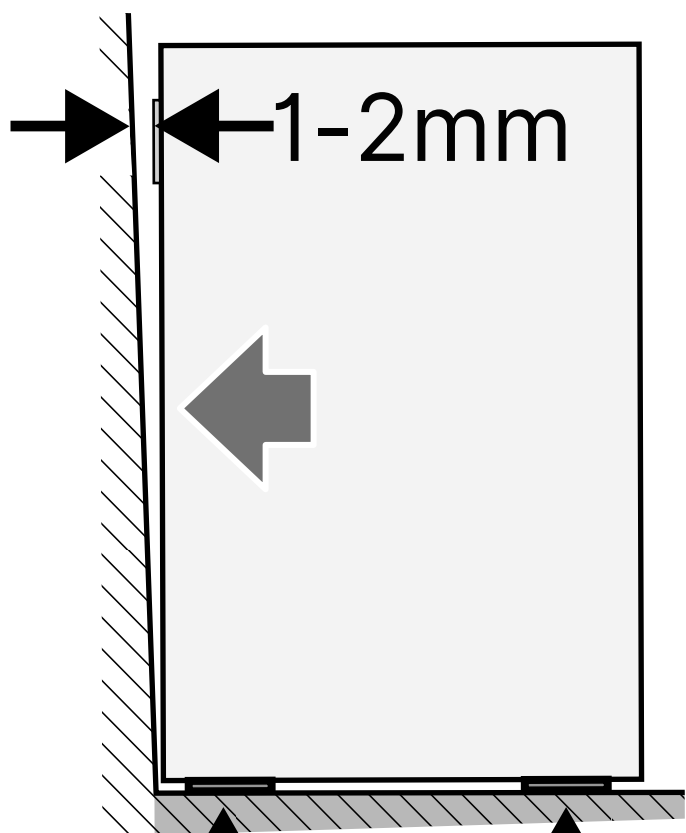
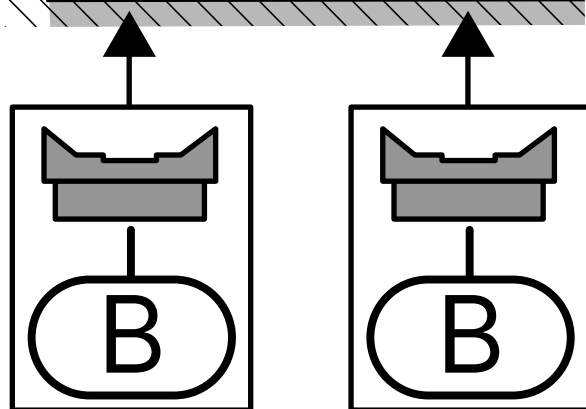
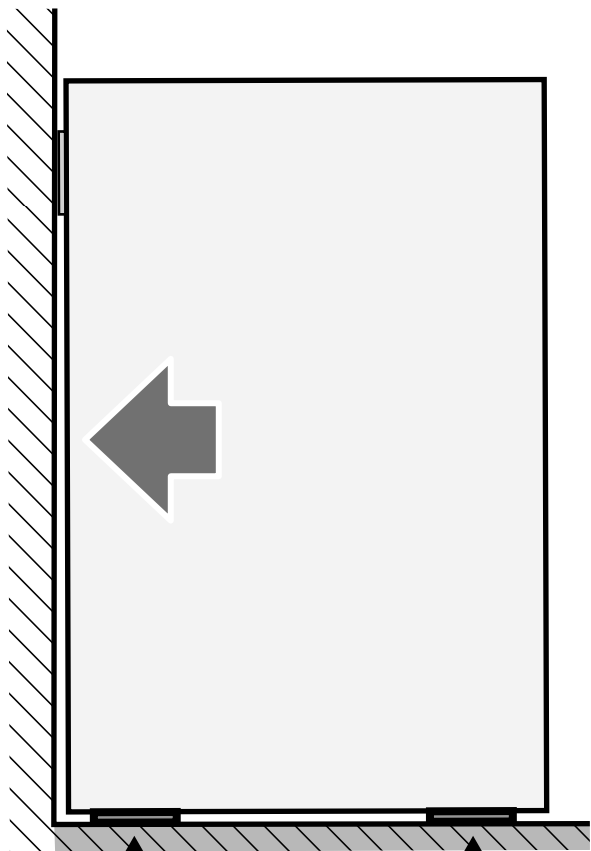
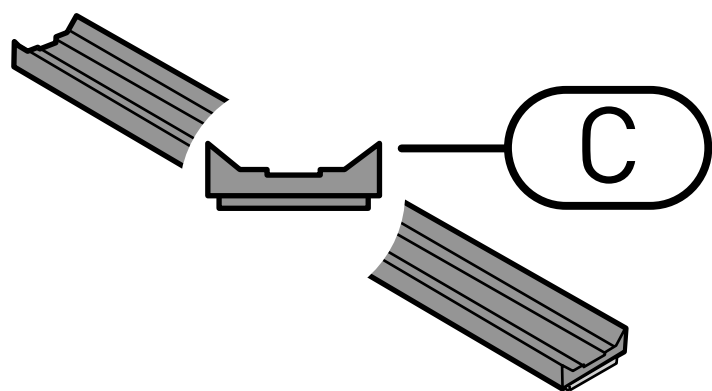
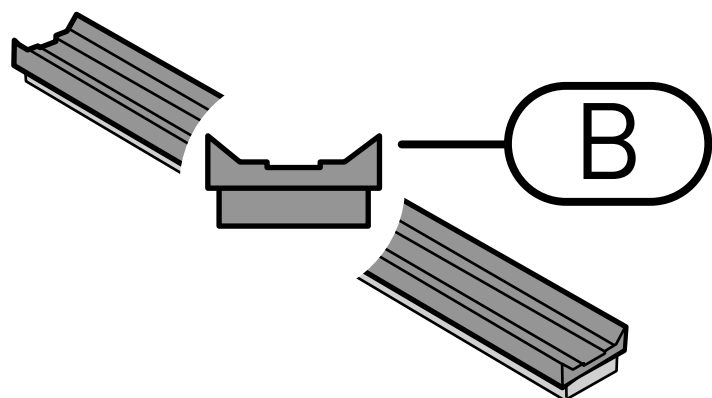


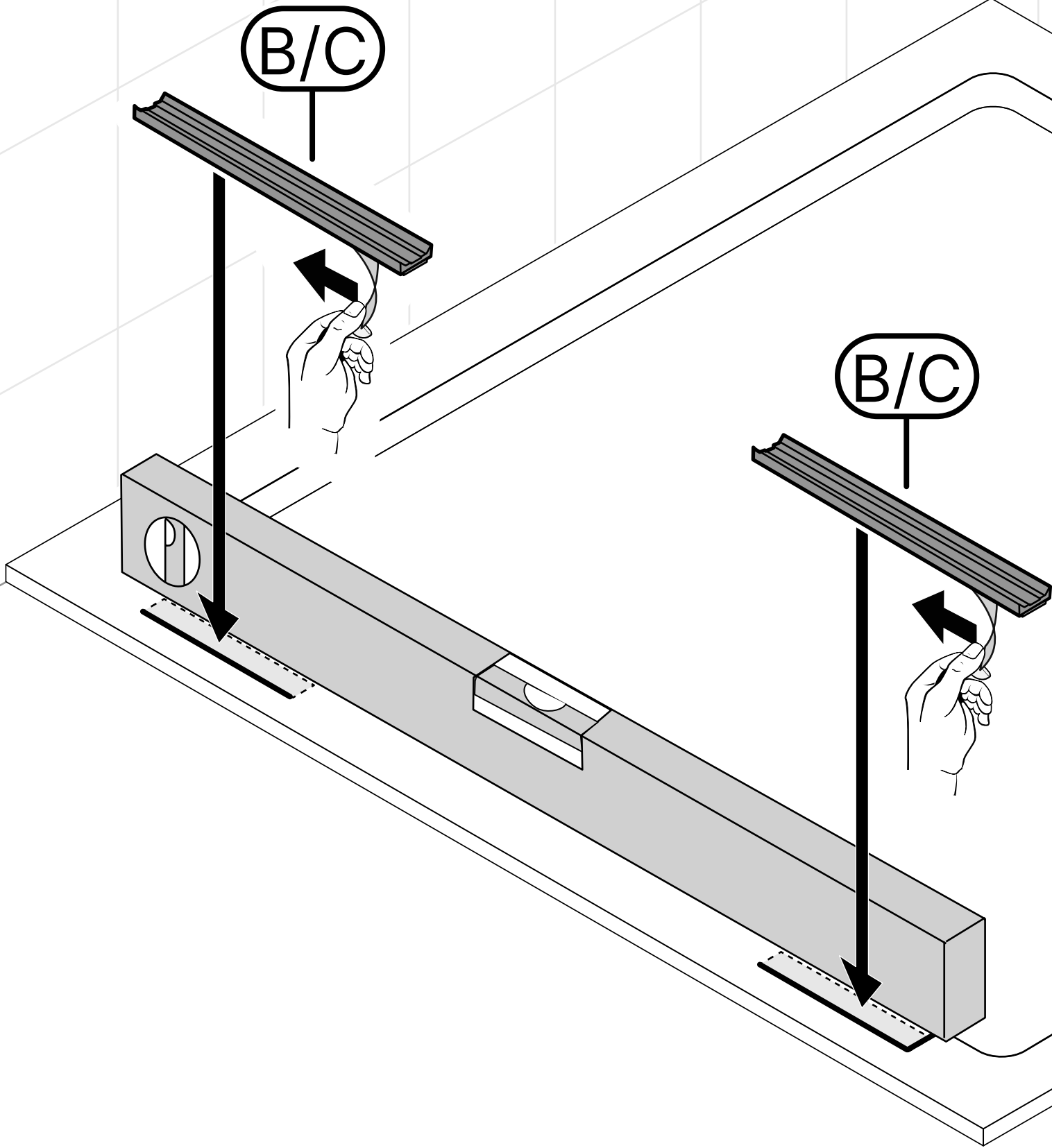


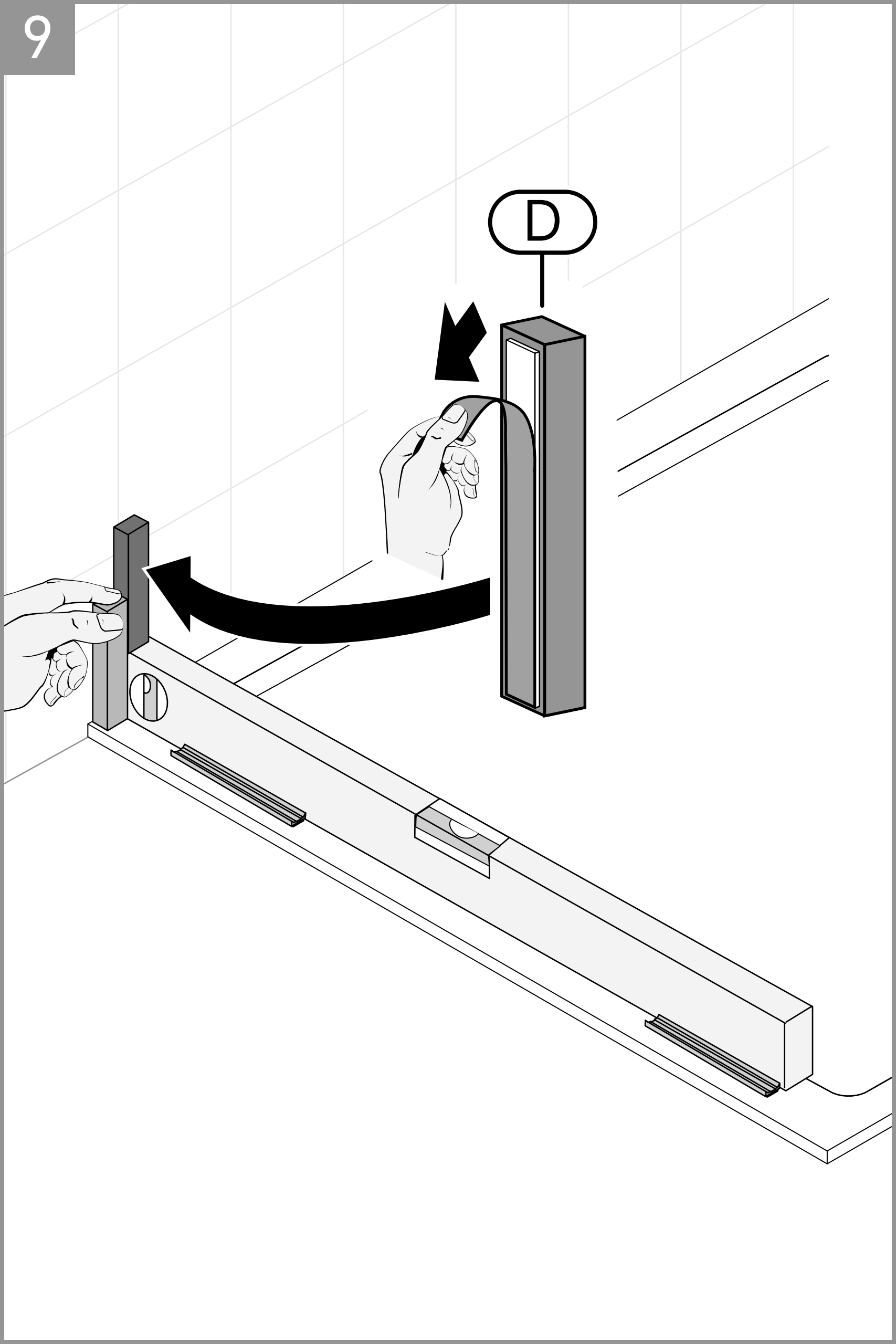
6

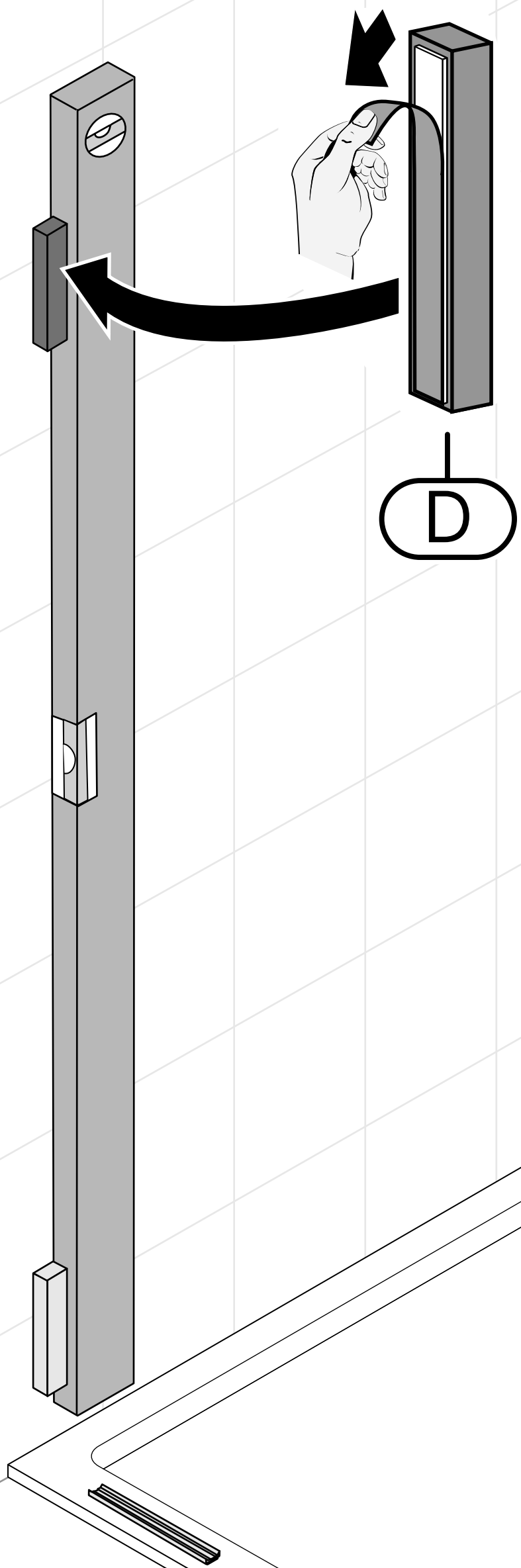


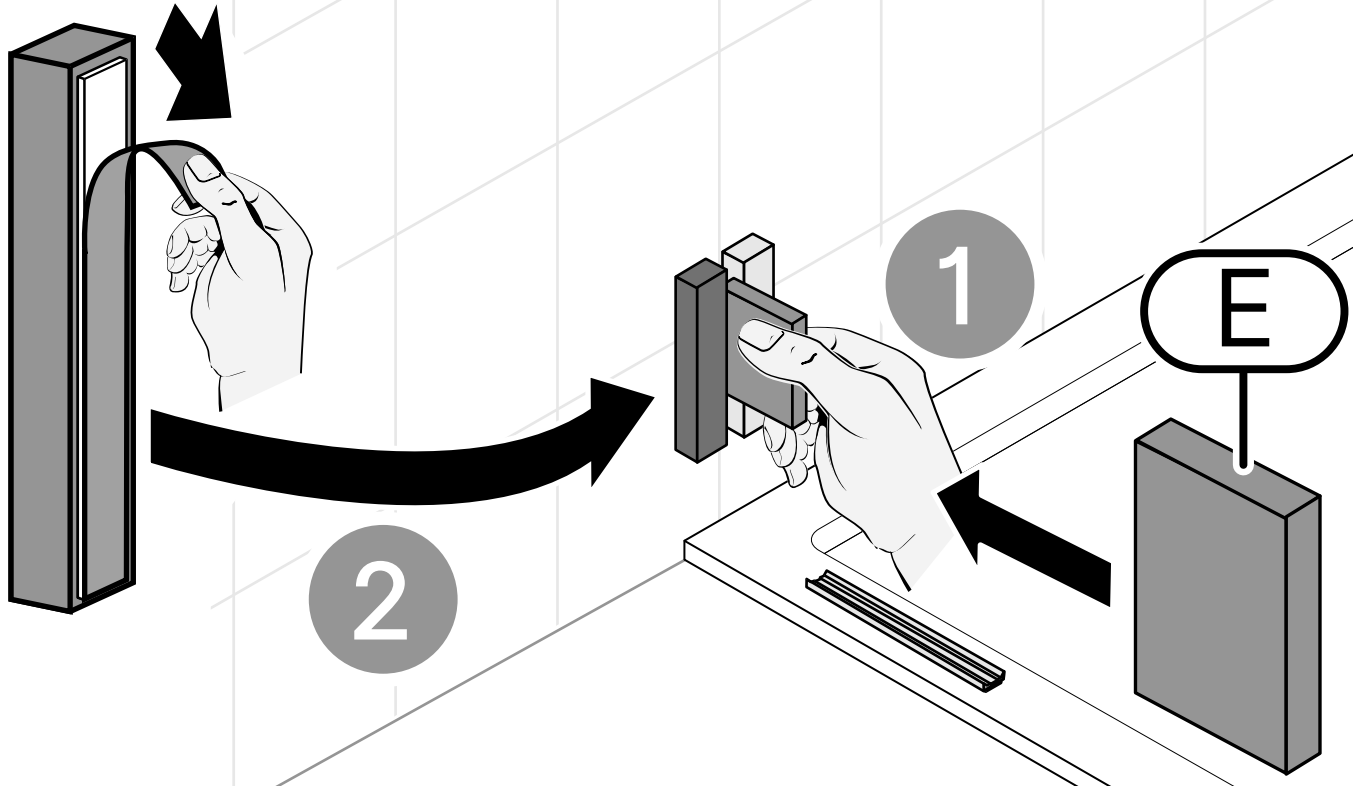
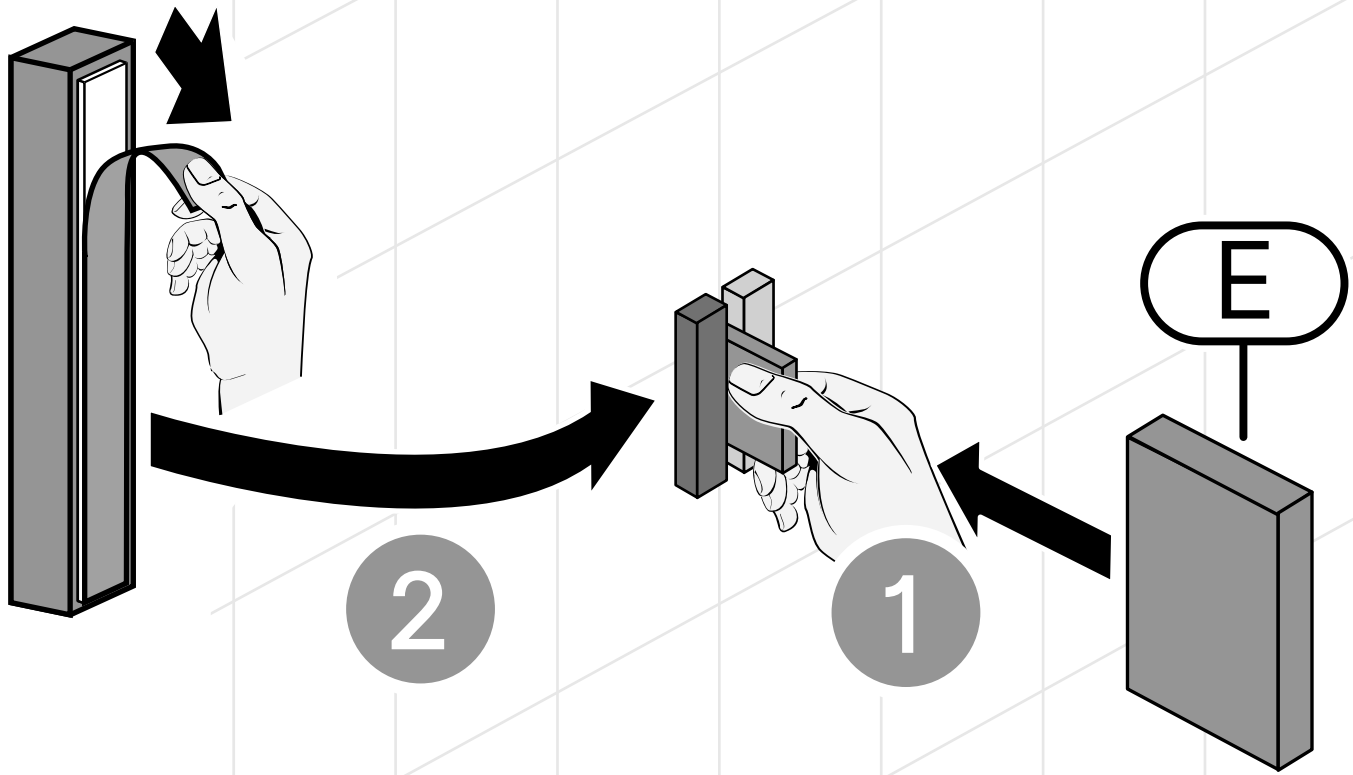


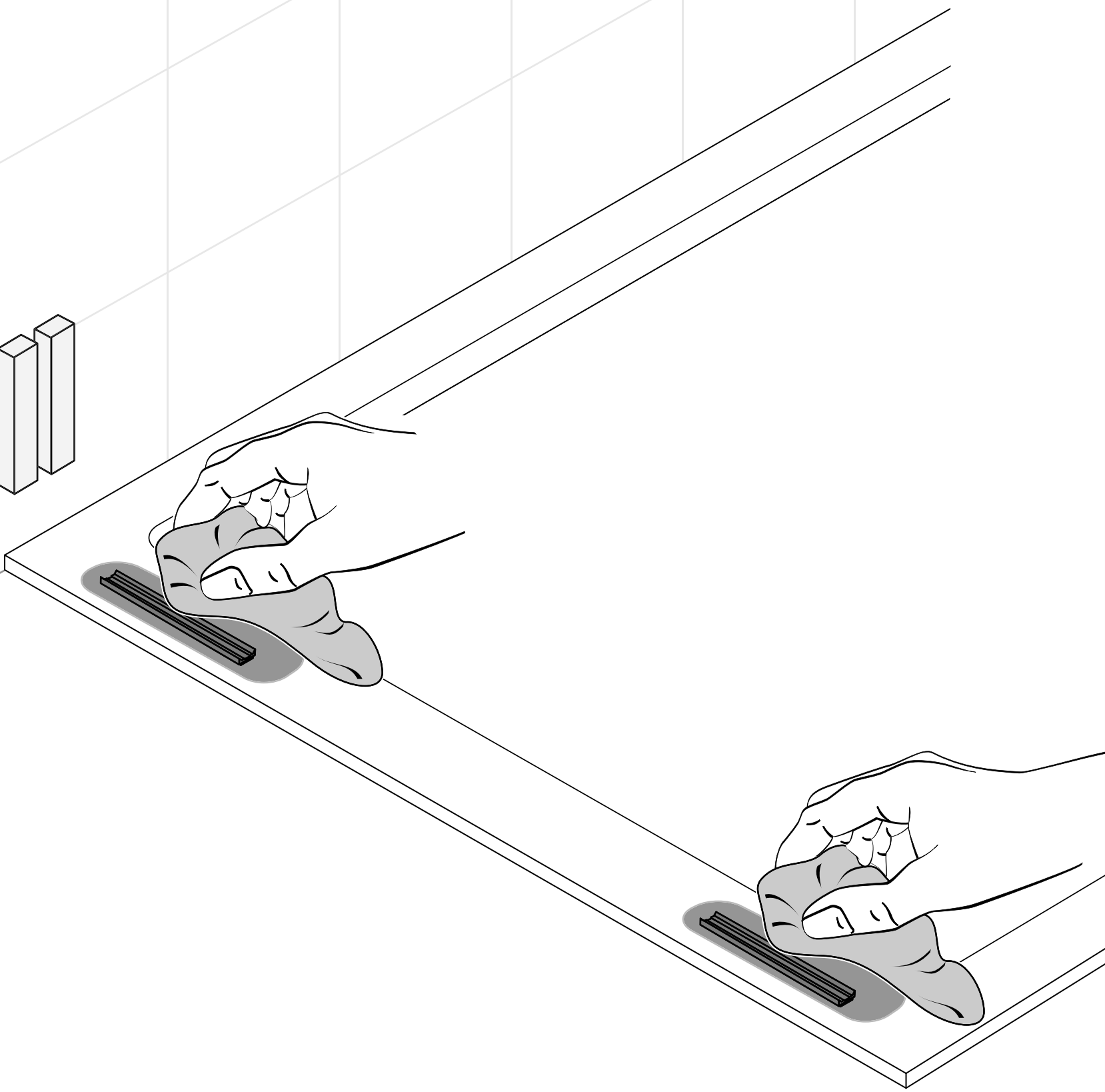
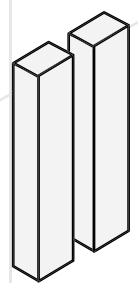


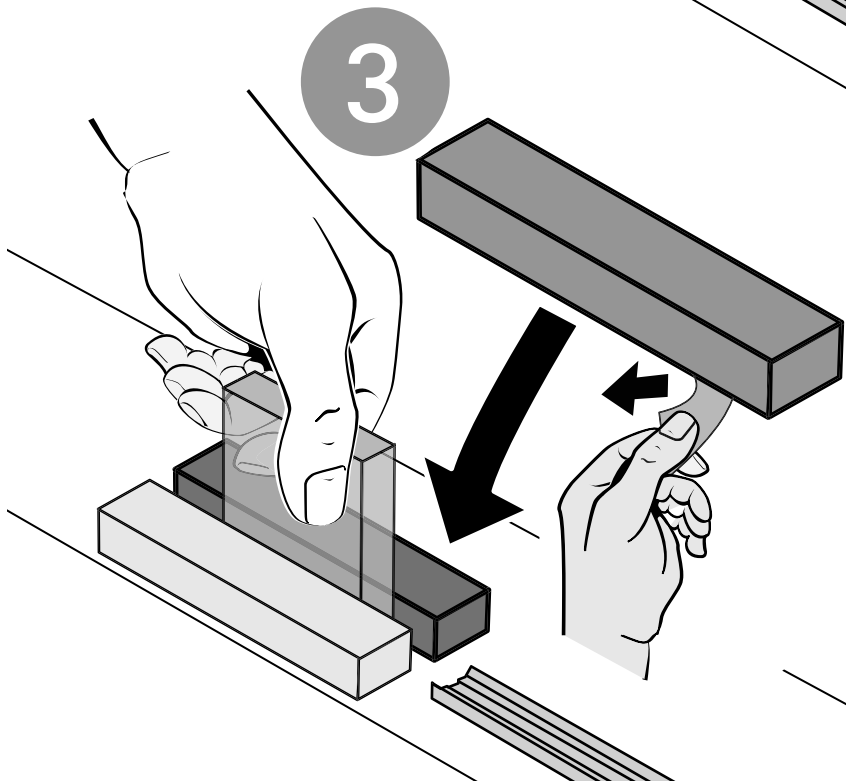
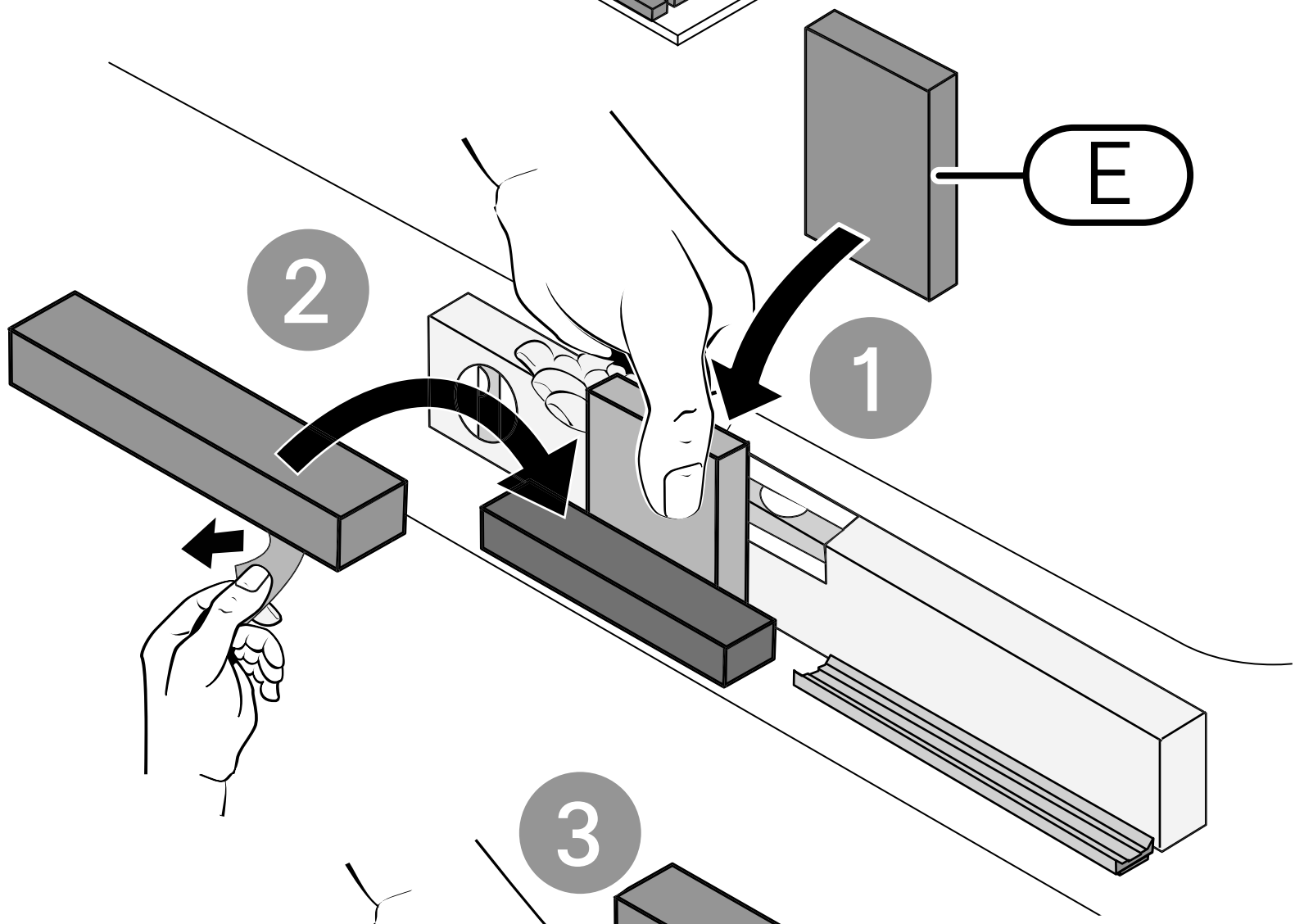
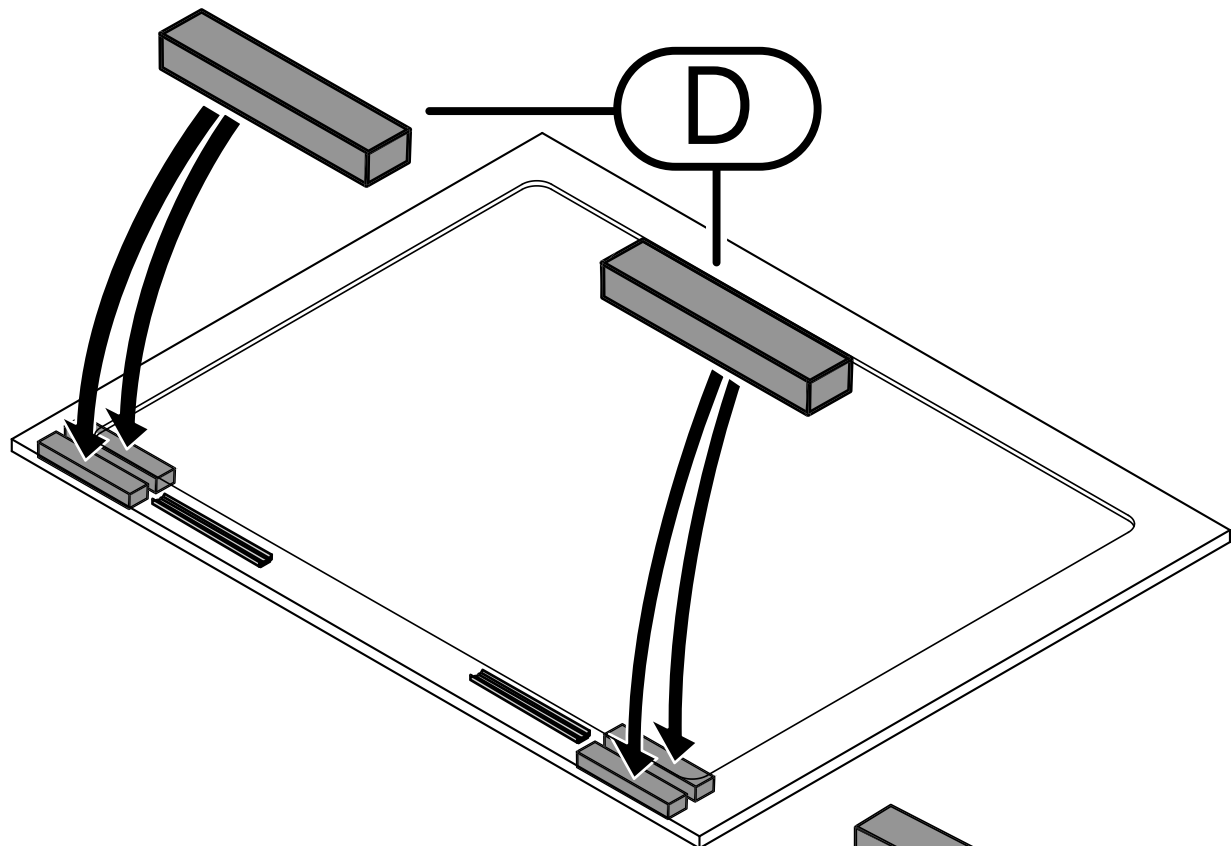


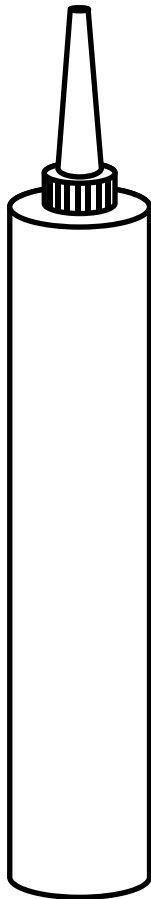












Weiss / White  
Blanc / Binaco  
711102.001

Grau / Grey (Manhattan)  
Gris / Grigio  
711102.030

Anthrazit / Anthracite  
Anthracite / Antracite  
711102.217

Schwarz / Black  
Noir / Nero  
711102.076

**DUSCHOLUX** Viva Walk-in 480.195480

Ableser / Firmenstempel / Sender / Company stamp  
Expéditeur / cachet de société / Mittente / Timbro della ditta:

Ansprechpartner / Contact / Responsable / Interlocutore:

Großhandel / Wholesale / Grossiste / Grossista:

Kommission / Commission / Commissione:

Auftrags Nr. / Order No. / Ordre No. / N° d'ordine

Glas Nr. / Glass No. / Verre No. / Vetro N°:

Traversenart / Kind of stabilising bar / Type de traverse / Tipo di traversa

Farbe Nr. / Colour No. / Couleur No. / Colore N°: 062 070

Handtuchhalter / Towel-Rack / Porte serviette / Portasciugamani:  
Nr. / No. / N°:

Länge / Length / Longueur / Lungo  
Einbauhöhe / Fixing height / Hauteur de fixation / Altezza di fissaggio  
mm

Wand / Wall / Mur / Muro / Boden / Floor / Sol / PIANO

Wiese / White  
Binaco / Bianco  
711102.001

Gris / Grey  
Gris / Grigio (Manhattan)  
711102.030

Anthracite / Anthracite  
Antracite / Anthracite  
711102.217

Schwarz / Black  
Nero / Nero  
711102.076

Bitte um Kostenvoranschlag gemäß Angaben  
Send me an offer according the specifications  
Demande d'offre selon données ci-dessus.  
Di farmi un preventivo-rispetto a questo box doccia

Diese Vorlage gilt bereits als Auftrag  
Ordering according the mentioned specifications  
Commande selon données ci-dessus  
Questo progetto è valido come ordine

Datum / Date / Date / Data:

Unterschrift / Signature / Signature / Firma

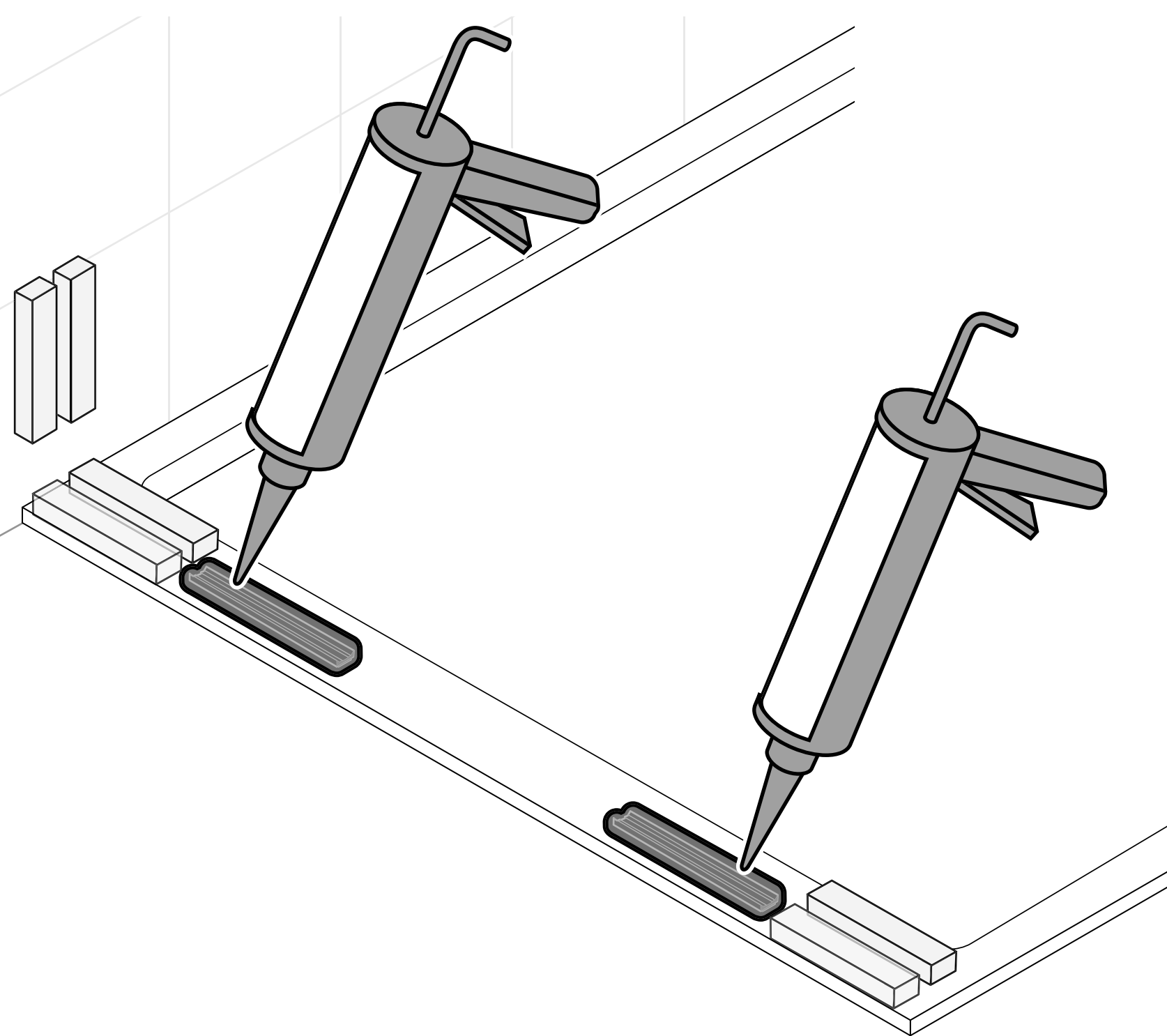
Masse (in mm) hier eintragen / Here to put down measures (in mm)  
Indiquez ici les mesures (en mm) / Insérez la mesure (in mm)

Nur auf fachmännisch geeigneten Untergrund montierbar, d.h. Rutschfest, tragfähig, formbeständig, sauber, trocken und frei von haftungsermindernden Bestandteilen.  
Only for mounting on a technically suitable base, i.e. friction resistant, load bearing, dimensionally stable, clean, dry and free of adhesion reducing components.  
À installer uniquement sur une base techniquement appropriée, c'est-à-dire résistante au glissement et portante, sèche, propre, vier de sans composants réduisant l'adhérence.  
Montaggio solo su una base tecnicamente idonea, cioè resistente all'attrito e portante, dimensionalmente stabile, pulita, asciutta e priva di componenti che riducano l'adesione.

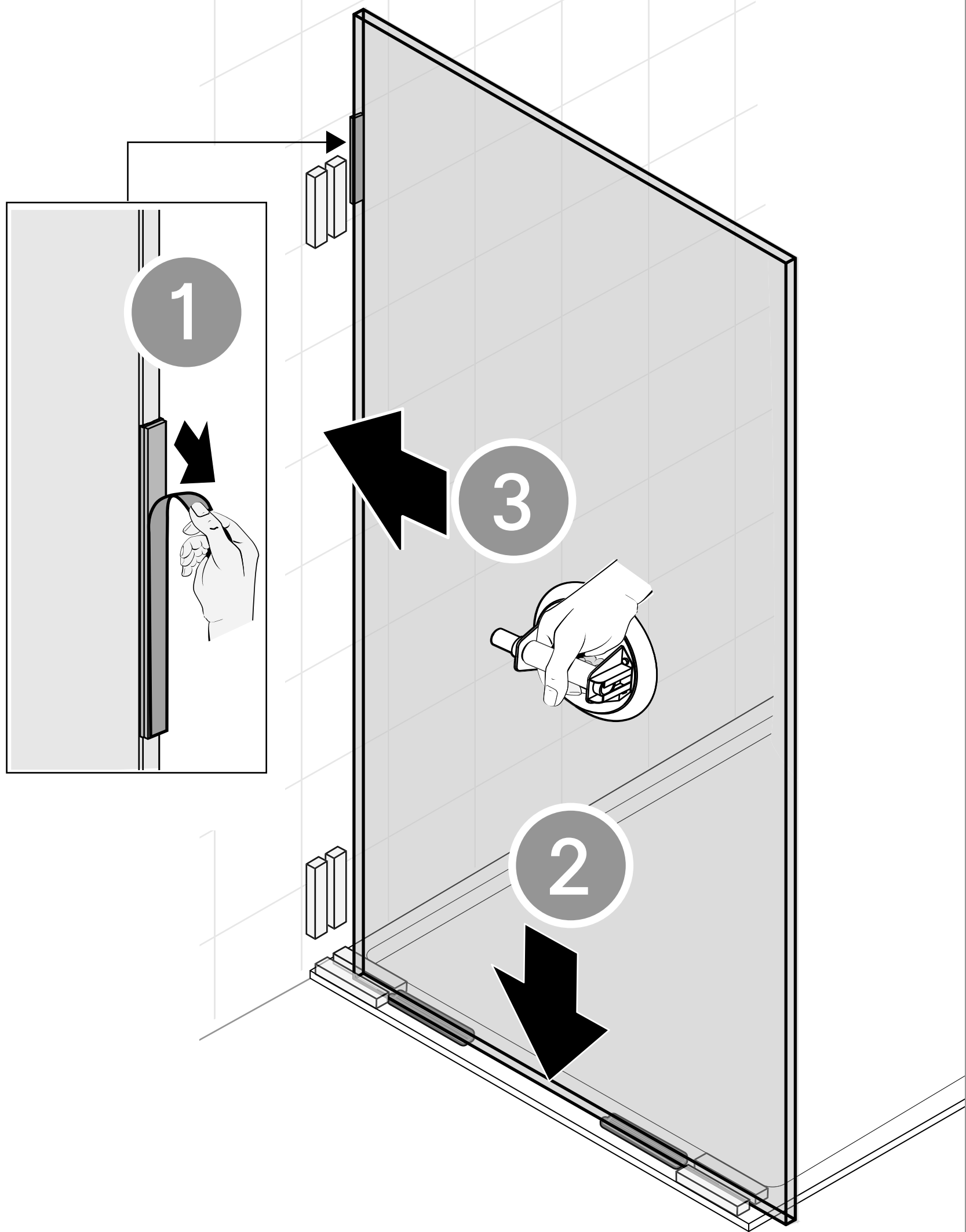
Fliese / Floor-tiling  
Keramikfliesen / ceramic tiles  
Ceramica / Ceramics  
piastrelle di ceramica  
Autres / Other / Autres / Altro

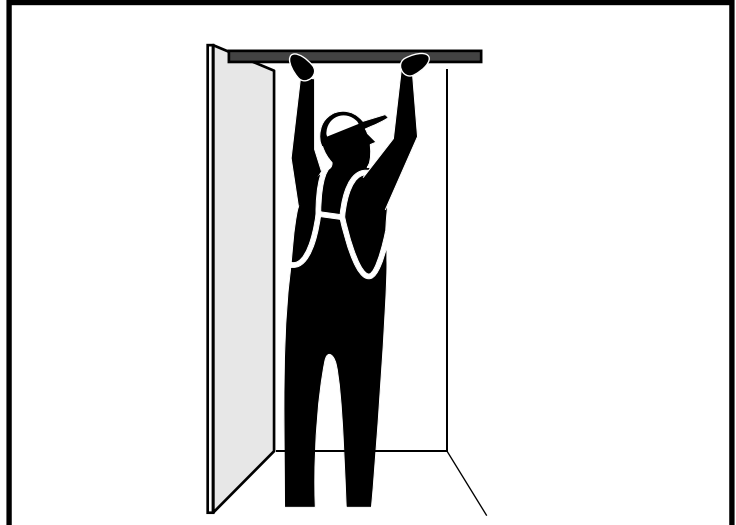
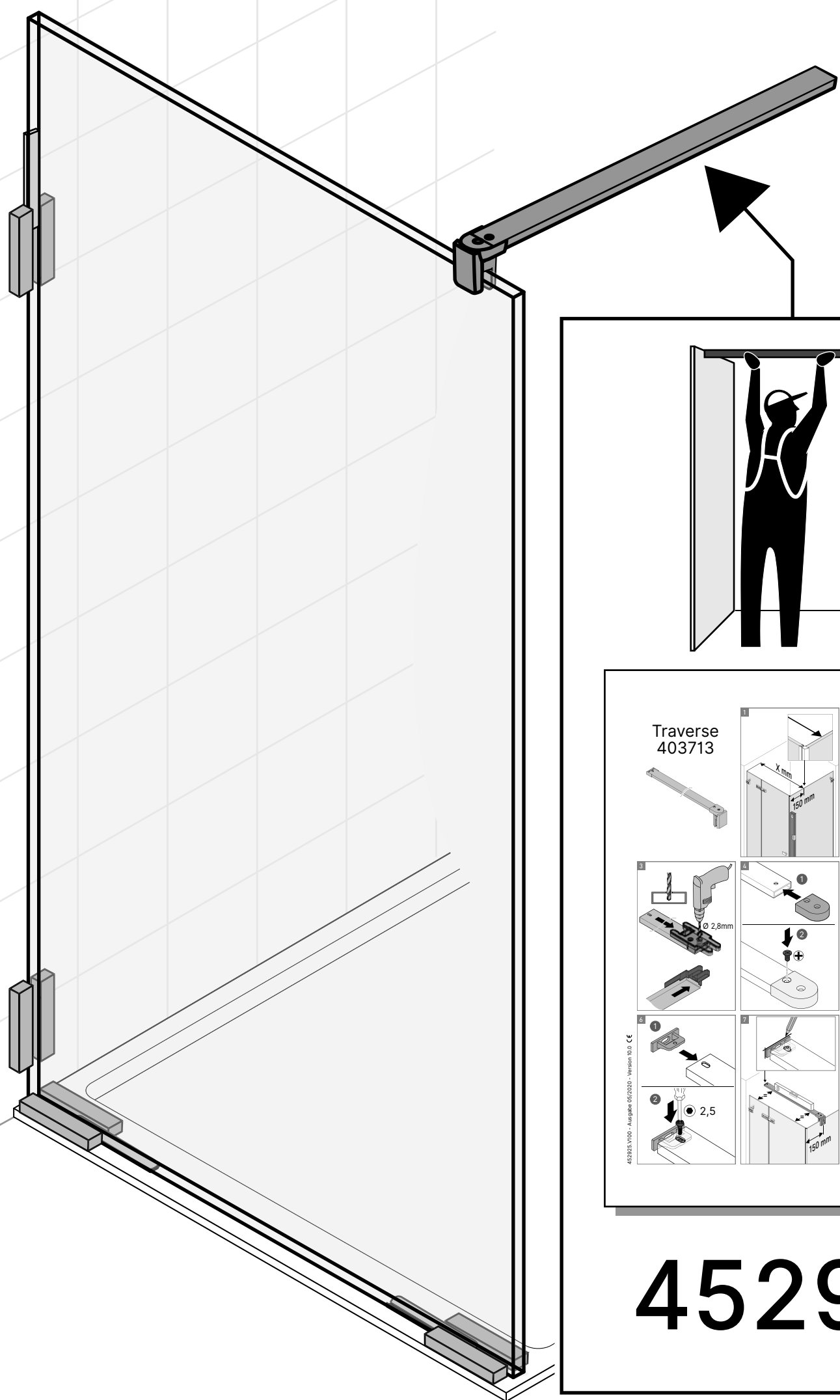
Platz für weitere Informationen (z.B. Schrägen, Ausschnitte) / Place for further information (e.g. slope, cut-out)  
Place pour informations supplémentaires (bais, découpes) / Spazio per altre informazioni (taglio obliquo, taglio angolare)

Bei Mass-/Groschenfertigungen besteht keine Rücknahmefähigkeit! / Products with special sizes/retentions cannot be taken back.  
Attention! Pas de reprise des parois de douche fabriquées sur mesures spéciales. / Ritiro dei prodotti con misure speciali non è possibile









Traverse  
403713

1.  $X$  mm, 150 mm

2.  $X-24$ mm

3.  $\varnothing 2,8$ mm

4. 1, 2

5.  $\text{T}20$

6. 1, 2, 2,5

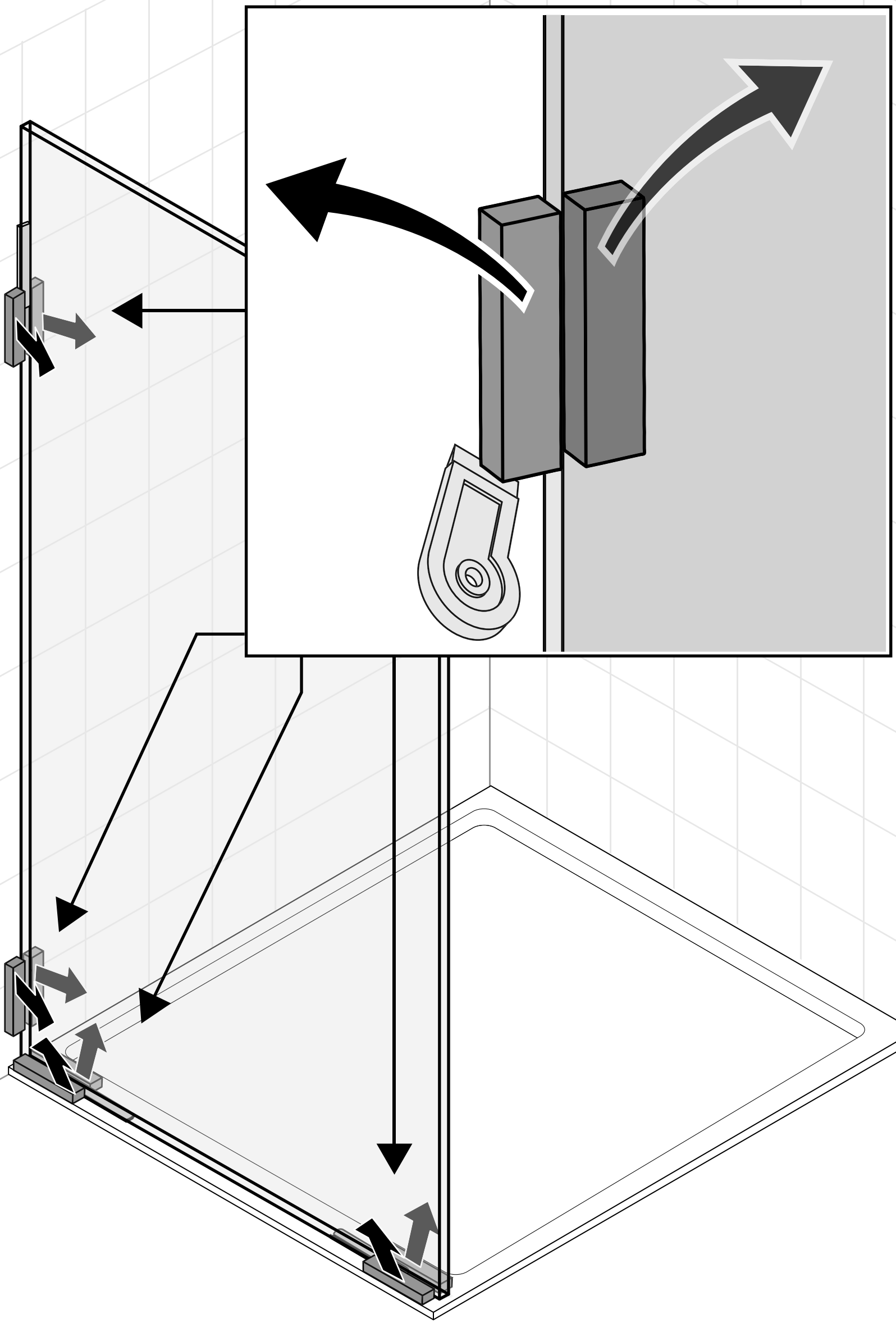
7. 150 mm

8. 1, 2, 2,5

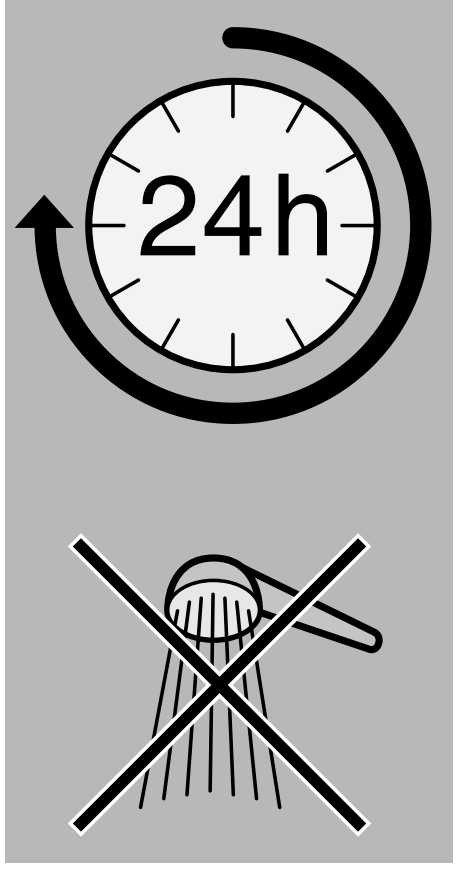
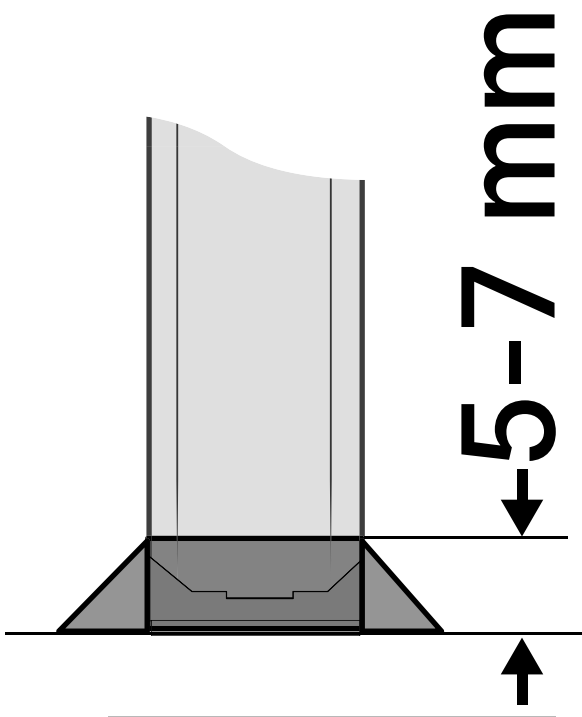
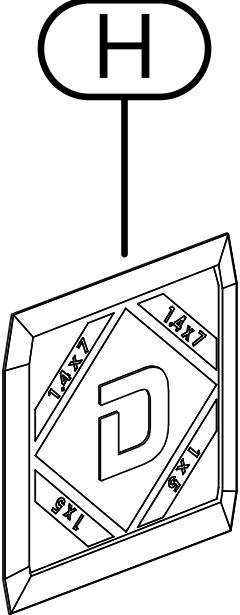
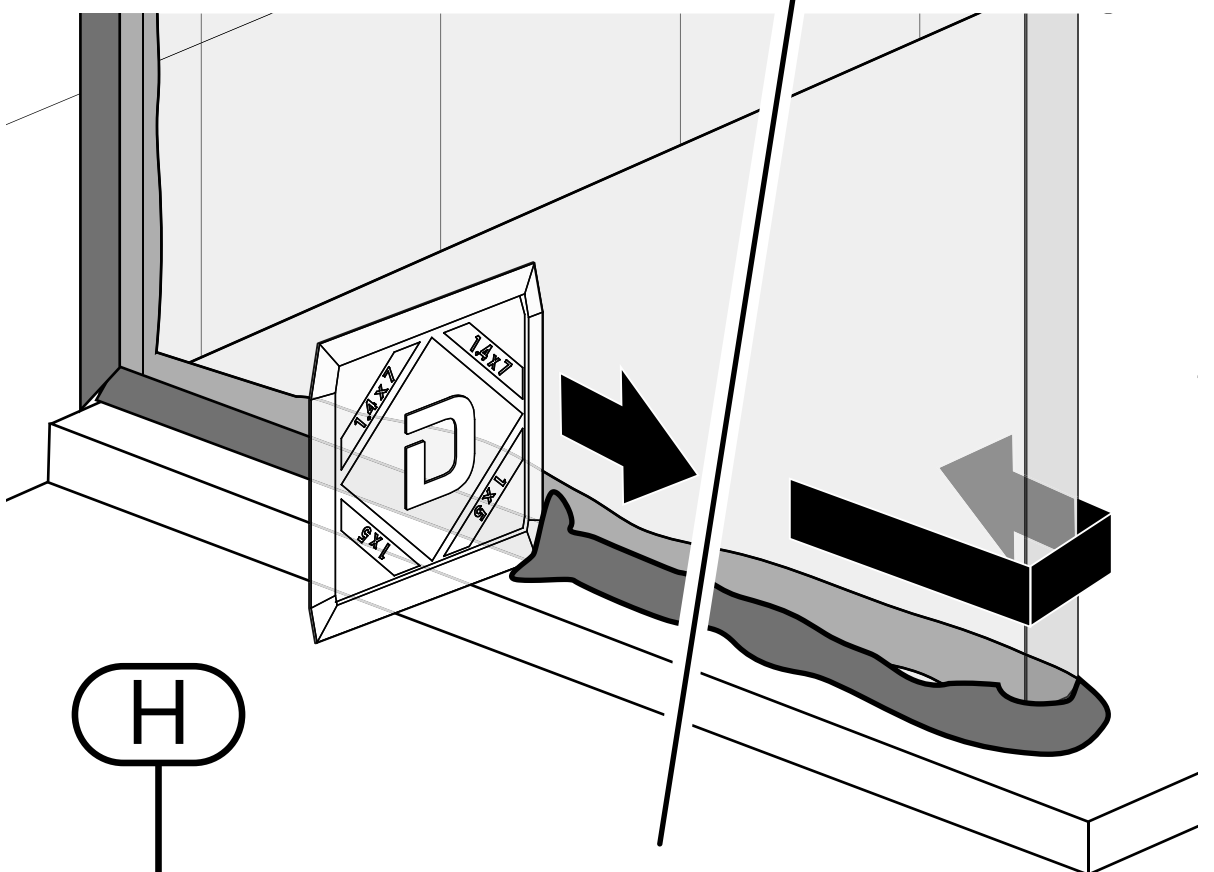
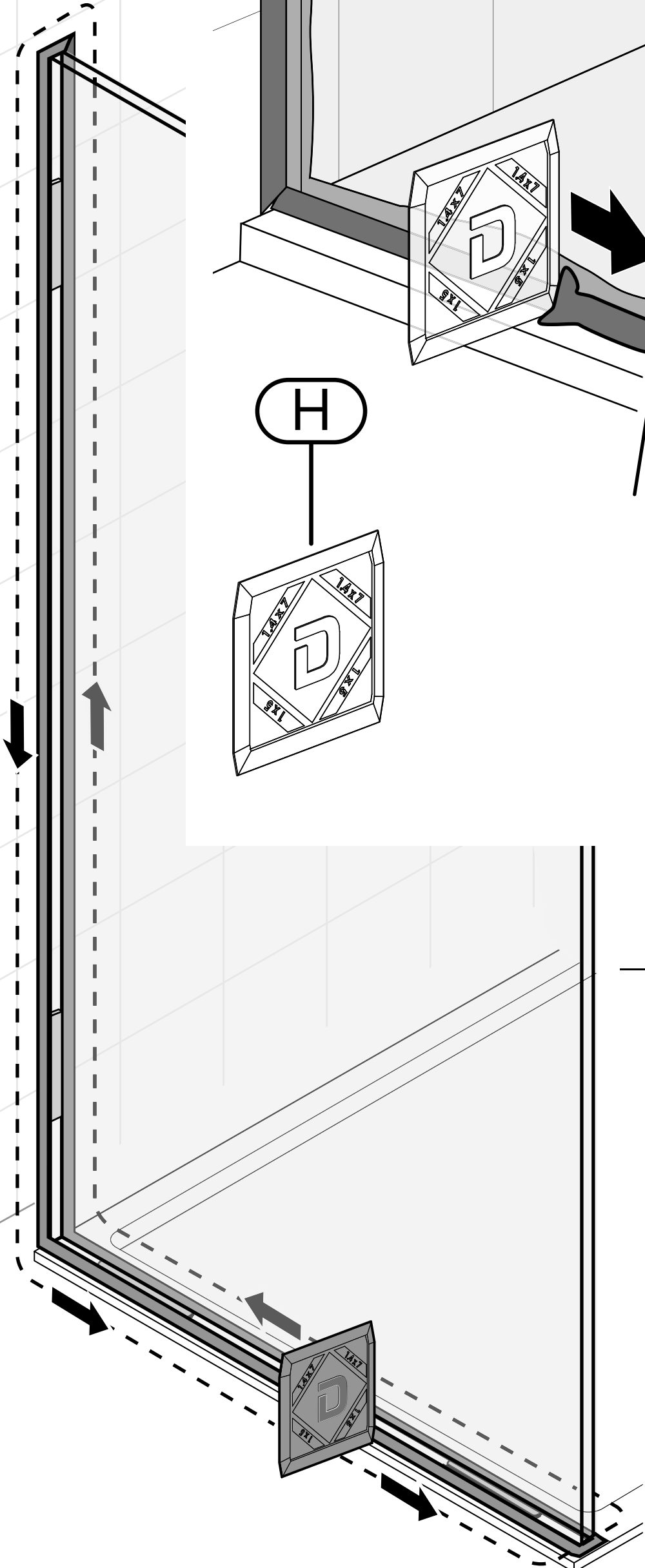
452925 V100 - Ausgabe 05/2020 - Version 10.0. CE

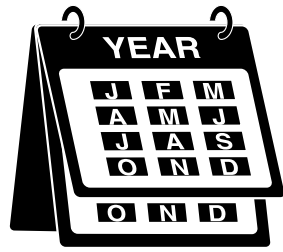
Detailed assembly instructions for the Traverse 403713 component. The instructions are presented in a grid of numbered steps (1-8) with corresponding diagrams. Step 1 shows the component being inserted into a slot, with dimensions  $X$  mm and 150 mm. Step 2 shows the component being secured with a screw, with a dimension of  $X-24$ mm. Step 3 shows a hole being drilled with a diameter of  $\varnothing 2,8$ mm. Step 4 shows the component being secured with two screws. Step 5 shows the component being secured with a  $\text{T}20$  screw. Step 6 shows the component being secured with two screws, with a dimension of 2,5. Step 7 shows the component being secured with a screw, with a dimension of 150 mm. Step 8 shows the component being secured with two screws, with a dimension of 2,5.

452925





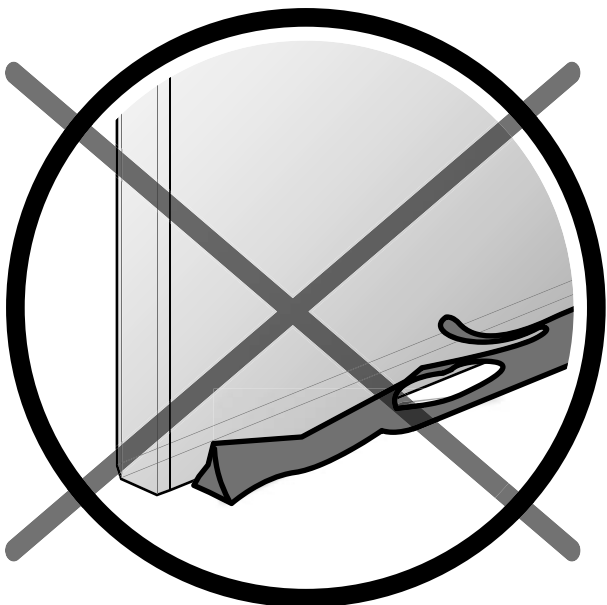
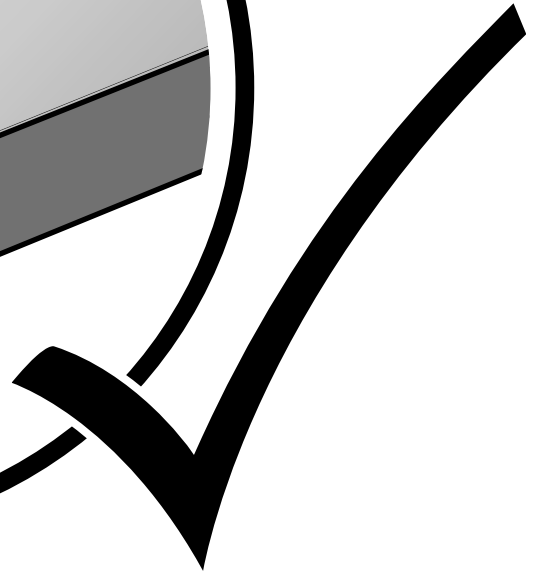
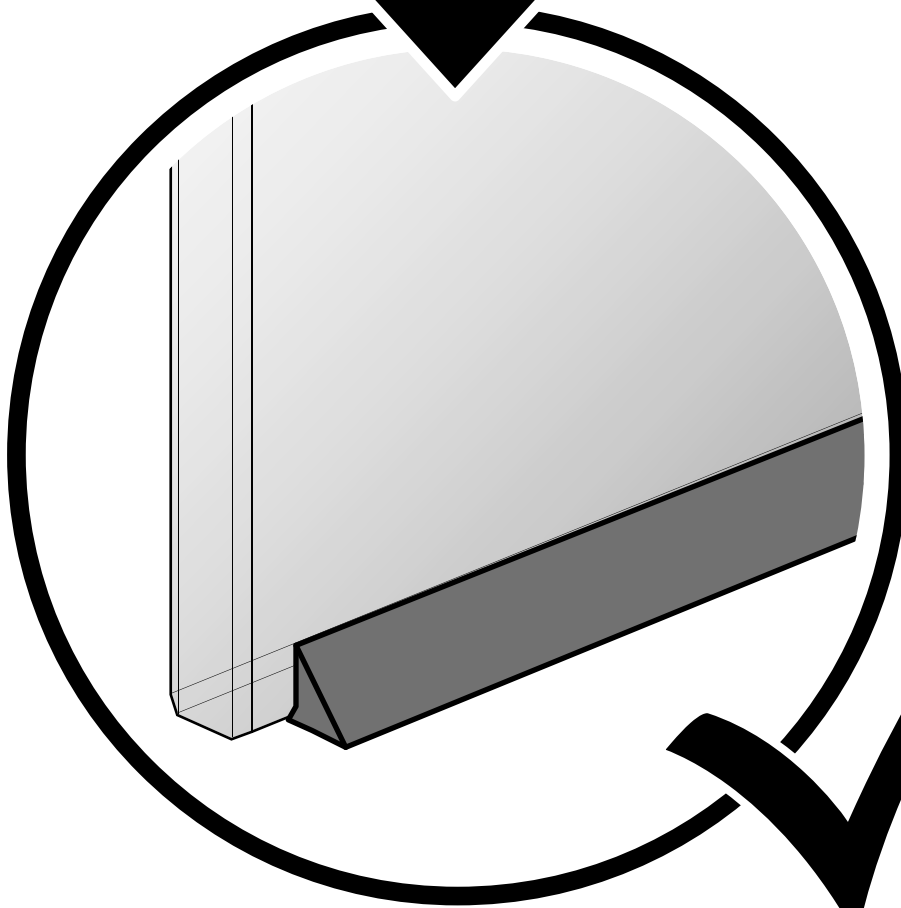
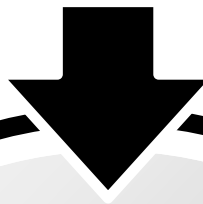
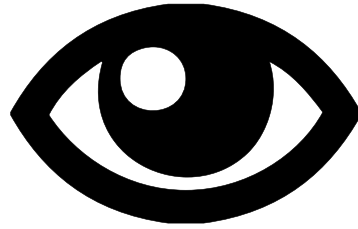




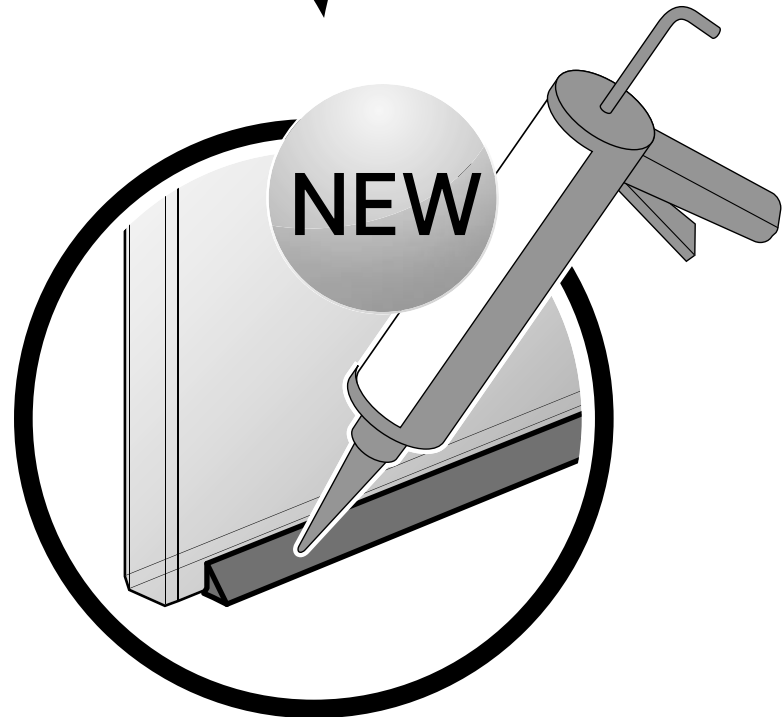
2

Jahr  
Year  
Année  
Anno  
Año

Jaar  
Léta  
Roku  
År  
лет



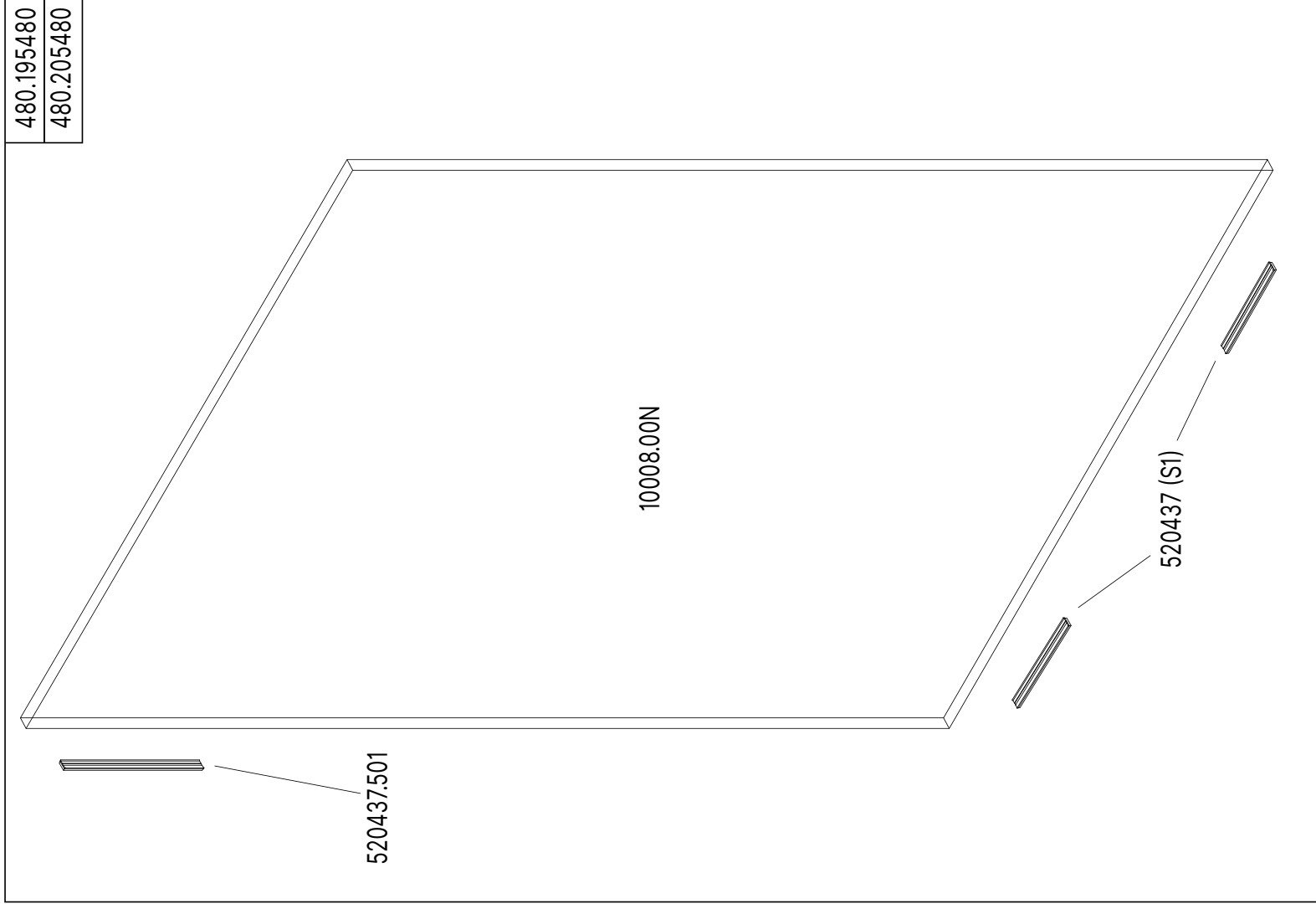
=



# Viva Walk-in Free

480.195480

480.205480



480.195480  
480.205480

10008.00N

520437.501

520437 (S1)

520437
520437.501.0 (S1)

520437.01  
711412.01

520437
520437.502.0 (S1)

520437.01  
711365.01

S1 (Set 1) 752674